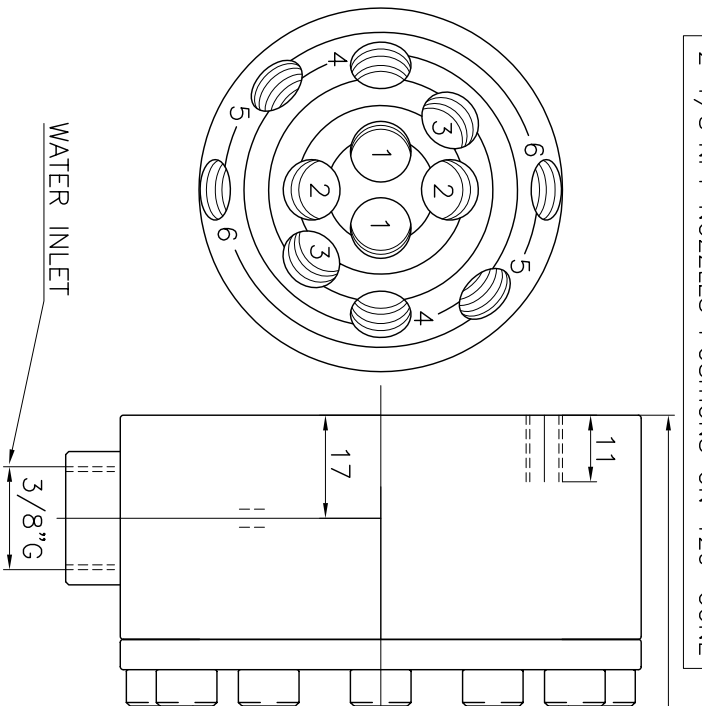
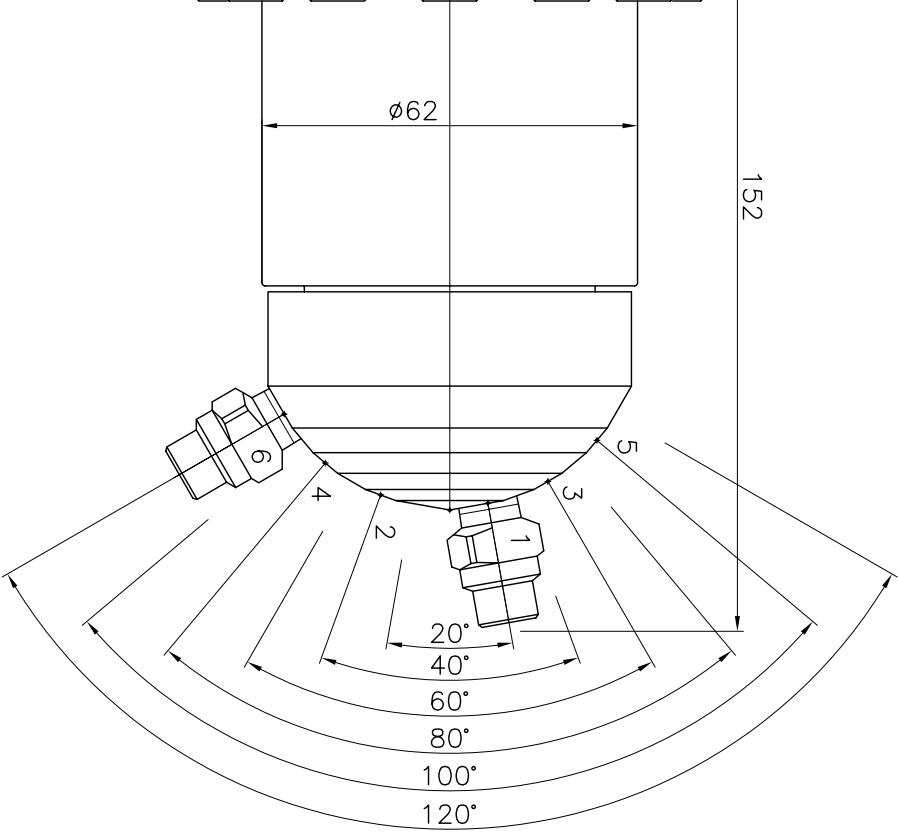


- 2 1/8"NPT NOZZLES POSITIONS ON 20° CONE
- 2 1/8"NPT NOZZLES POSITIONS ON 40° CONE
- 2 1/8"NPT NOZZLES POSITIONS ON 60° CONE
- 2 1/8"NPT NOZZLES POSITIONS ON 80° CONE
- 2 1/8"NPT NOZZLES POSITIONS ON 100° CONE
- 2 1/8"NPT NOZZLES POSITIONS ON 120° CONE

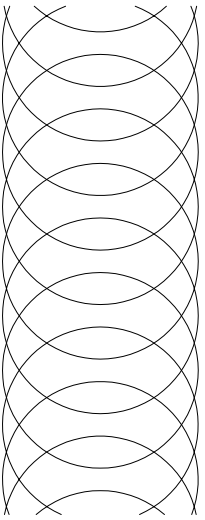
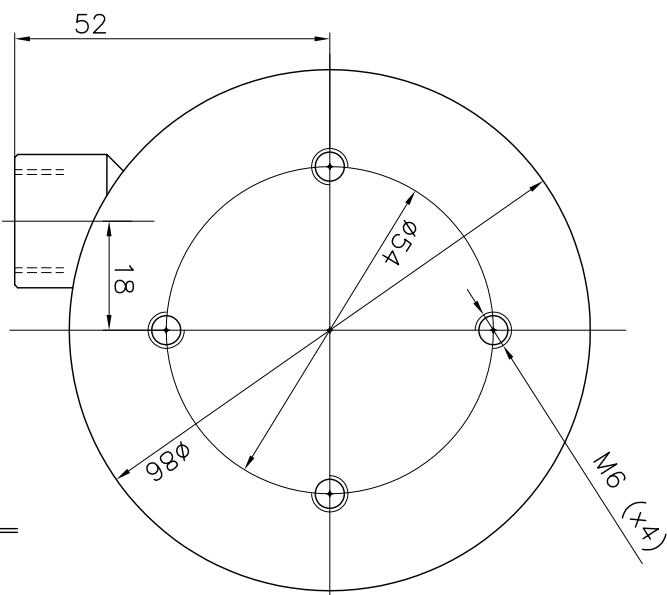
PLUG NOZZLES POSITIONS NOT USED



TECHNICAL DATA	
temperature max	90°C
pressure max	150 bar
flow	15-30 l/min
spinning speed	180-200 rpm
water inlet	3/8"G
nozzle thread	1/8"NPT
nozzles positions	2 (x6 angles)
weight	3.0 Kg



	flow L/min				
turbine nozzle	15	18	20	25	30
washing nozzles	3,0 mm	4,0 mm	4,0 mm	5,0 mm	6,0 mm
	2x0003	2x0004	2x0004	2x00055	2x00065
pressure bar	105	95	110	100	100
speed rpm	207	184	203	200	200
pressure drop bar	8,5	5	6,5	6	7,5



WITH LINEAR MOTION PATTERN

RUGOSITA' (UNI 4600)	MODIFICA	1	2	3	4	5
FOGLIO	XXXX					
DATA	XX.XX.XX					
GREZZO	TOLLERANZE GENERALI classe m UNI-EN 22768/1					
$\sim = \phi$	0±6	6÷30	30÷120	120÷400	400÷1000	1000÷2000
SGROSS.	$\pm 0.1$	$\pm 0.2$	$\pm 0.3$	$\pm 0.5$	$\pm 0.8$	$\pm 1.2$
$\nabla = \nabla$	NOTE: vers. 01					
FINITURA	MATERIALE:					
$\nabla \nabla = \nabla$						
RETTIFICA	DESCRIZIONE: SURFACE WASHING SIDE INLET					
$\nabla \nabla \nabla = \nabla$	INSTALLATION DRAWING					
	CODICE: PW049-AAB					
	SCALA: 1:1					
	A4					
	O					
	DISIGN.: CR I CONTR.: DM					
	DATA: 14.04.09					
	MONTECCHIO E. (RE) - ITALY					
	Boromat					
	CLEANING HEADS					