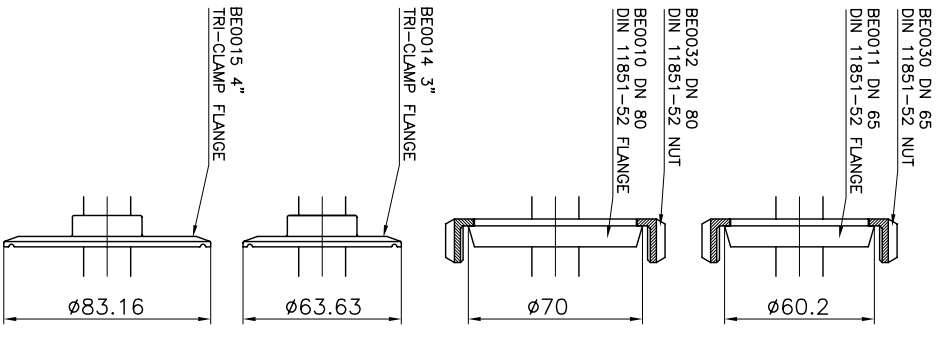


TECHNICAL DATA	
O-RING	NBR - EPDM - VITON
SLIPPER	PTFE+CARBON FIBRE
FILTER	700 MICRON
NOZZLES POSITIONS	2/4
NOZZLES TYPE	SPECIAL NOZZLE XB060
OPERATING FLOW MAX	60 L/min
OPERATING PRESSURE MAX	200 bar
MAX OPERATING TEMPERATURE	90 °C
MATERIAL	INOX AISI 316
CONICAL GEARS	FIXED Z=23 ROTATING Z=25
MODULE	1
COMPLETE CYCLE	25 ROTATIONS
COMPLETE CYCLE TIME	1.1 MIN.
ROTATION SPEED	24 RPM
WEIGHT	7.5 KG



MODIFICA	1	2	3	4	5
RUGOSITA' (UNI 4600)	FOGLIO	XXXX			
GREZZO	DATA	XX.XX.XX			
~ = ϕ	TOLLERANZE GENERALI classe m UNI-EN 22768/1				
±0.1	±0.2	±0.3	±0.5	±0.8	±1.2
SGROSS. 3/2	NOTE:				
▽ = 1.6	DESCRIZIONE: APPLICATION DRAWING				
▽▽ = 0.8	XB 061 AAH				
▽▽▽ = 0.4					
 CLEANING HEADS MONTECHIO E. (RE) - ITALY DISEGN.: CR CONTR.: DM DATA: 18.12.06 MOD. CODICE: XB 061AAH FINITURA: 1.3 A4 O RETTIFICA: 1.3 A4 O SCALA: 1:3 A4 O					