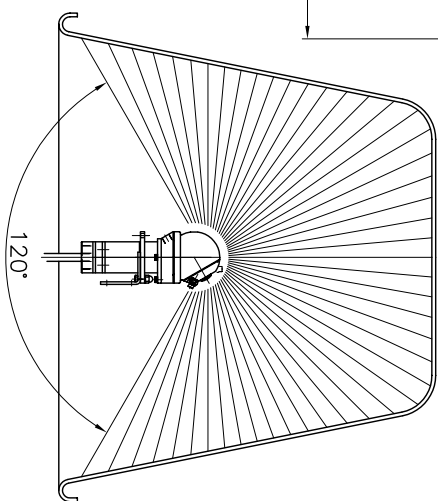



TECHNICAL DATA	
MAX FLOW:	60 L/MIN.
MAX PRESSURE:	200 BAR.
SPINNING SPEED:	120 RPM (ADJUSTABLE)
HYDRAULIC MOTOR:	32 CC
OIL FLOW:	3.8 L/MIN. (ADJUSTABLE)
OIL PRESSURE:	20 BAR MAX.
WEIGHT:	5.0 KG.



RUGOSITA' (UNI 4600)	MODIFICA	1	2	3	4	5	 Solimati CLEANING HEADS MONTECCHIO E. (RE) - ITALY DISEGN.: CR ICONTR.: DM DATA: 20.11.01 MOD.
GREZZO	FOGLIO	XXXX					
~ = ✓	DATA	XX.XX.XX					
SGROSS. 3.2/	TOLLERANZE GENERALI classe m UNI-EN 22768/1						
∇ = 3.2/	0+6	6+30	30+120	120+400	400+1000	1000+2000	
FINITURA 1.6/	±0.1	±0.2	±0.3	±0.5	±0.8	±1.2	
RETTIFICA 0.8/	NOTE:						
∇∇ = 1.6/	MATERIALE: ALUMINIUM						
∇∇∇ = 0.8/	DESCRIZIONE: OPEN CONTAINER VERSION NON WASHED HOLLOW CONE 120°						
	CODICE:	SW 060 HY		SCALA		1:1	A3
						O	O