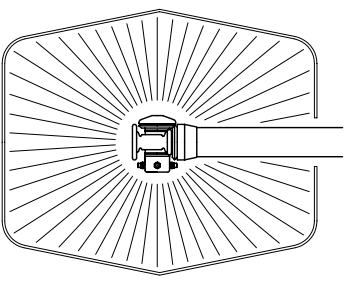
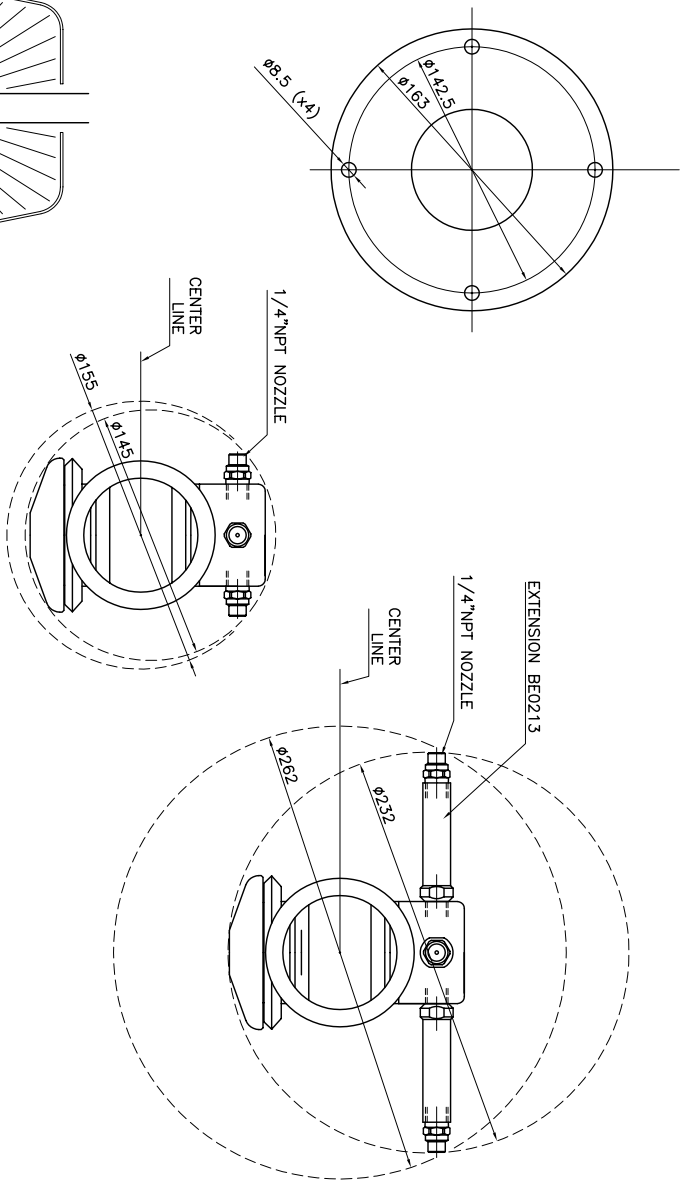


TECHNICAL DATA	
O-RING	NBR - EPDM - VITON
SLIPPER	PTFE+CARBON FIBRE
BUSHING	ASI 316
FILTER	NONE
NOZZLES POSITIONS	2 - 4
NOZZLES THREAD	1/4"NPT
TESTING NOZZLES	0 x 0000
OPERATING FLOW RANGE	0 - 200 L/min
TESTING FLOW	000 L/min
OPERATING PRESSURE RANGE	0 - 200 bar
TESTING PRESSURE	000 bar
CENTER LINE MIN PASS THROUGH HOLE	155 mm W/O EXTENSIONS
MANUAL MIN PASS THROUGH HOLE	145 mm W/O EXTENSIONS
PIPE LENGTH	750 mm (STANDARD)
MAX OPERATING TEMPERATURE	90 °C
MATERIAL	INOX AISI 316
CONICAL GEARS	FIXED Z=41 ROTATING Z=43
MODULE	2
FULL CYCLE	43 ROTATIONS
GEARBOX	W/MOTOR
ELECTRIC MOTOR	BB0743
ELECTRIC MOTOR VOLTS	24V AC/DC
ELECTRIC MOTOR AMPS	0.30 A
ROTATION SPEED	17 RPM
FULL CYCLE TIME	2.5 min
WEIGHT	14.2 KG



RUGOSITA' (UNI 4600)	MODIFICA	1	2	3	4	5
FOGLIO	FOGLIO	XXXX				
GREZZO	DATA	XX.XX.XX				
TOLLERANZE GENERALI classe m	UNI-EN	22768/1				
0+6	6-30	30-120	120-400	400-1000	1000-2000	
±0.1	±0.2	±0.3	±0.5	±0.8	±1.2	
NOTE:						
FINITURA 1/g	DESCRIZIONE:	XC 200 E APPLICATION DRAWING				
RETTIFICA						
0,9/g						
CODICE:		XC 200 E				
SCALA		1:3				
DISEGN.: CR		A3				
DATA: 06.10.08		O				
MOD.						



MONTECOHIO E. (RE) - ITALY
 DISIGN.: CR
 DATA: 06.10.08
 MOD.