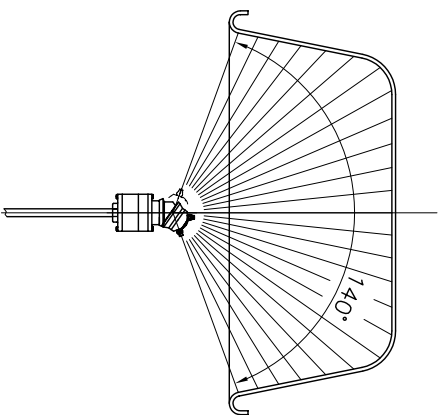


TECHNICAL DATA

| | |
|-----------------------------------|--------------------------|
| O.RING | NBR - EPDM - VITON |
| SLIPPER | PTFE+CARBON FIBRE |
| BUSHING | AISI 316 |
| FILTER | 700 MICRON |
| NOZZLES POSITIONS | 2 - 4 |
| NOZZLES THREAD | 1/8"NPT |
| TESTING NOZZLES | 0 x 0000 |
| OPERATING FLOW RANGE | 15 - 60 L/min |
| TESTING FLOW | 00 L/min |
| OPERATING PRESSURE RANGE | 5 - 200 bar |
| TESTING PRESSURE | 000 bar |
| CENTER LINE MIN PASS THROUGH HOLE | 128 mm |
| MANUAL MIN PASS THROUGH HOLE | 100 mm |
| MAX OPERATING TEMPERATURE | 90 °C |
| MATERIAL | INOX AISI 316 |
| CONICAL GEARS | FIXED Z=37 ROTATING Z=39 |
| MODULE | 2 |
| DIFFUSER SPEED SETTING POSITIONS | 4 |
| TESTING DIFFUSER POSITION | X |
| ROTATION SPEED | SEE CHART |
| FULL CYCLE | 39 ROTATIONS |
| FULL CYCLE TIME | 26 sec. AT 90 RPM |
| WEIGHT | 9.6 KG |

| FLOW L/MIN | | DIFFUSER POSITION | | | |
|------------|----|--------------------|----|----|----|
| | | 1 | 2 | 3 | 4 |
| | 15 | 78 | 36 | | |
| | 30 | | 90 | 42 | |
| | 45 | | | 72 | 42 |
| | 60 | | | 96 | 60 |
| | | SPINNING SPEED RPM | | | |



| | | | | | | |
|---|--|----------------------------|---|---|---|---|
| RUGOSITA' (UNI 4600) | MODIFICA | 1 | 2 | 3 | 4 | 5 |
| FOGLIO | XXXX | | | | | |
| GREZZO DATA | XX.XX.XX | | | | | |
| ~ = ∅ | TOLLERANZE GENERALI classe m UNI-EN 22768/1 | | | | | |
| SGROSS. 3/2 | 0+6 ±0.1 6+30 ±0.2 30+120 ±0.3 120+400 ±0.5 400+1000 ±0.8 1000+2000 ±1.2 | | | | | |
| ∇ = 3/2 | NOTE: | | | | | |
| FINITURA 1/g | MATERIALE: AISI 304 | | | | | |
| ∇∇ = 1/g | | | | | | |
| RETTIFICA 0/g | | | | | | |
| ∇∇∇ = ∇ | | | | | | |
| DESCRIZIONE: SW060 WKC 01 cm1 WITH FILTER | | CODICE: SW 060WKC 01 | | | | |
| FRONTAL PATTERN 140° | | SCALE: 1:1 A3 O | | | | |
| | | DISIGN.: GR ICONTR.: DM | | | | |
| | | MONTICCHIO E. (RE) - ITALY | | | | |
| | | DATA: 16.02.09 MOD. | | | | |

file: SW 060WKC 01 cm1

