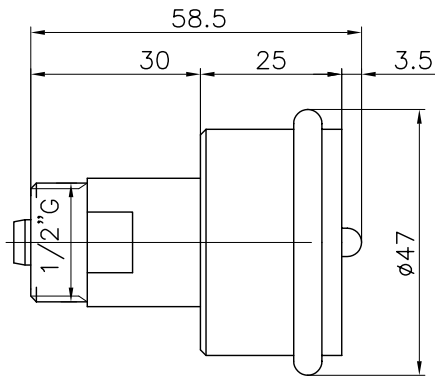
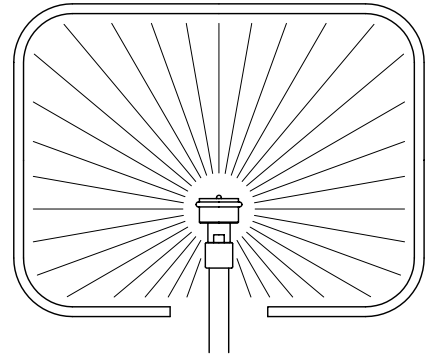


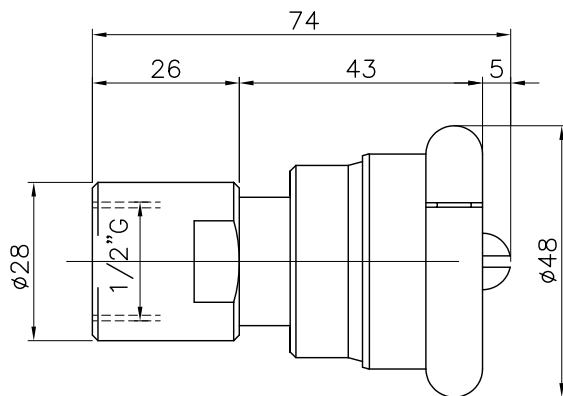
RT Series

MATERIAL	AISI 316
MAX PRESSURE	10 bar
MAX OPERATING TEMPERATURE	90°C



RT0008

3x 0.6 mm SLOTS					
PRESSURE (bar)	1	2	3	4	5
FLOW (L/min)	6	10	11	12	18



RT0225

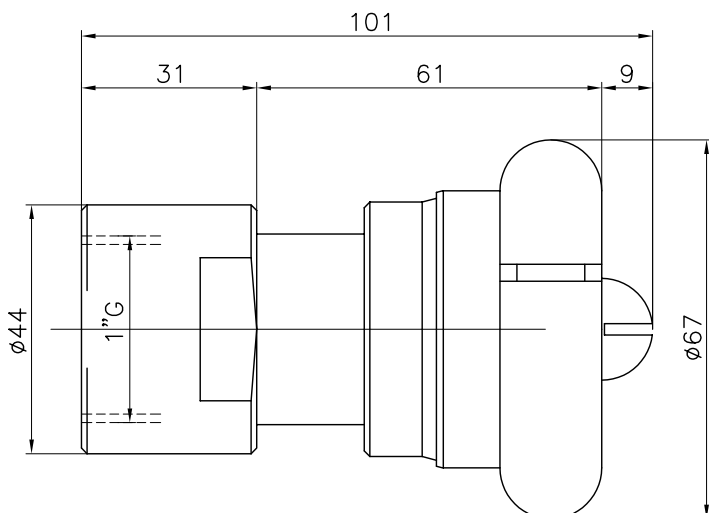
3x 0.8 mm SLOTS					
PRESSURE (bar)	2	4	6	8	10
FLOW (L/min)	15	21	27	32	35

RT0235

3x 1 mm SLOTS					
PRESSURE (bar)	2	4	6	8	10
FLOW (L/min)	18	25	32	36	41

RT0255

2x 1.5 mm + 1x 1 mm SLOTS					
PRESSURE (bar)	2	4	6	8	10
FLOW (L/min)	40	53	63	75	83



RT0355

2x 3 mm + 1x 2 mm SLOTS						
PRESSURE (bar)	1	2	3	4	5	6
FLOW (L/min)	30	60	80	90	105	120