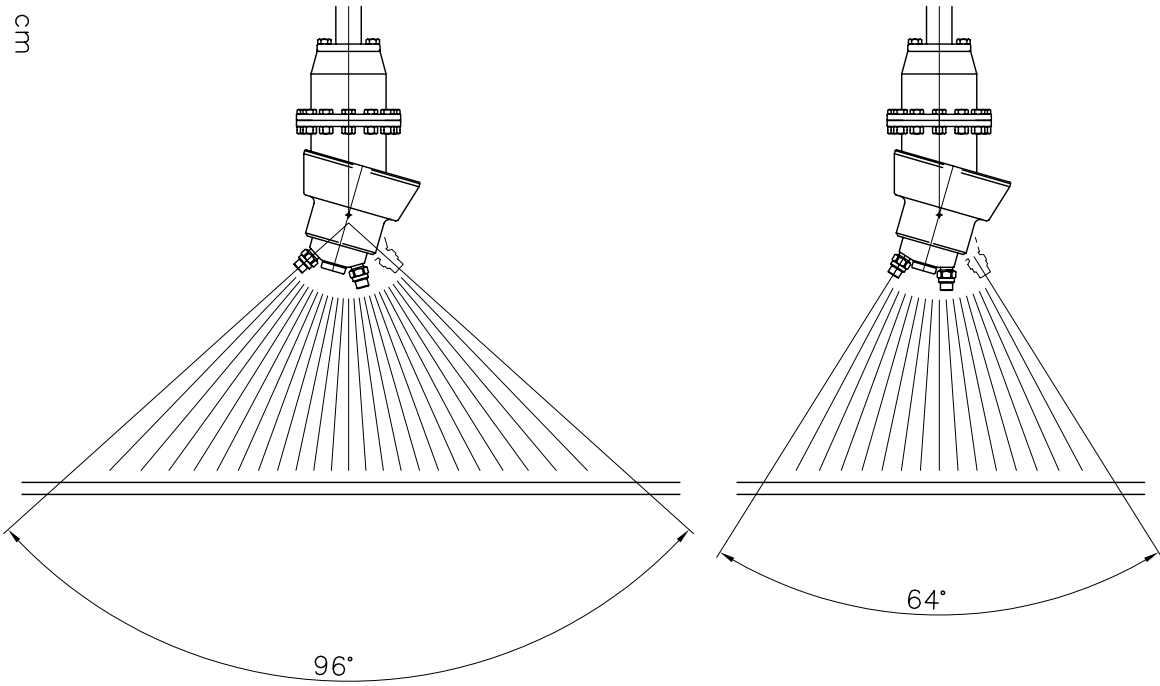



- 2 1/8"NPT NOZZLES POSITIONS ON 64° CONE
- 2 1/8"NPT NOZZLES POSITIONS ON 96° CONE

PLUG NOZZLES POSITIONS NOT USED

file: SW 048 SP cm



TECHNICAL DATA	
temperature max	90°C
pressure max	150 bar
flow	15-60 l/min
spinning speed	80 rpm
water inlet	1/2"G
filter	700 micron
nozzle thread	1/8"NPT
nozzles positions	2 on 64° cone - 2 on 96° cone
weight	3.0 Kg

RUGOSITA' (UNI 4600)	MODIFICA	1	2	3	4	5	 CLEANING HEADS MONTECHIO E. (RE) - ITALY	
GREZZO	FOGLIO	XXXX						
SGROSS: 3.2/	DATA	XX.XX.XX					TOLLERANZE GENERALI classe m UNI-EN 22768/1 0÷6 6÷30 30÷120 120÷400 400÷1000 1000÷2000 ±0.1 ±0.2 ±0.3 ±0.5 ±0.8 ±1.2 NOTE:	
FINITURA 1.6/	MATERIALE:	INOX						
RETTIFICA 0.8/	DESCRIZIONE:	ORBITAL SURFACE WASHING INSTALLATION DRAWING						DISEGN.: CR CONTR.: DM DATA: 17.02.09 MOD. SCALA 1:1 A4 O
▽▽ = 0.8/	CODICE:	SW 048 SP						