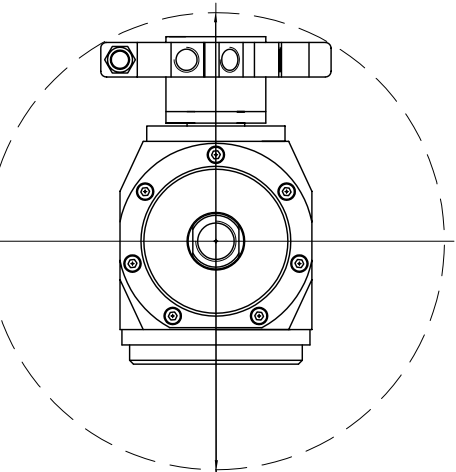
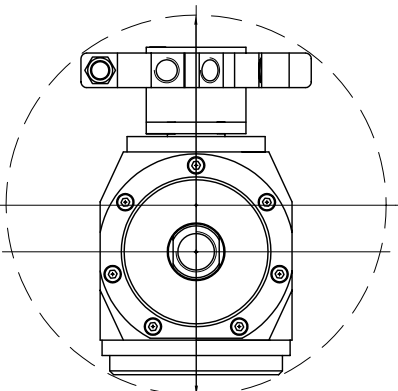


TECHNICAL DATA	
OPERATING FLOW RANGE	8 - 200 L/min
OPERATING PRESSURE RANGE	8 - 200 bar
MAX OPERATING TEMPERATURE	90 °C
WASHING CYCLE TIME	10" - 30"
WATER INLET	1/2" G
NOZZLES POSITIONS	2 - 4
NOZZLES THREAD	1/4" NPT
O. RING	NBR - EPDM
LUBRICANT	SILICON OIL VISCOSITY 20-100-350-5000
MATERIAL	
INOX AISI 316	WEIGHT 10.5KG
ALUMINIUM	WEIGHT 5.5KG



FORO DI PASSAGGIO MINIMO IN ASSE Ø238
MIN. CENTER LINE THROUGH HOLE Ø238



FORO DI PASSAGGIO MINIMO MANUALE Ø198
MIN. MANUAL THROUGH HOLE Ø198

RUGOSITA' (UNI 4600)	MODIFICA	1	2	3	4	5
	FOGLIO	XXXX				
GREZZO	DATA	XX XX XX				
	TOLLERANZE GENERALI classe m UNI-EN 22768/1	0 ÷ 6	6-30	30 ÷ 120	120 ÷ 400	400 ÷ 1000
SGROSS.	± 0.1	± 0.2	± 0.3	± 0.5	± 0.8	± 1.2
	NOTE: VERSIONE 09					
FINITURA	MATERIALE:					
RETTIFICA	DESCRIZIONE: FV025-HW FV025-T3 APPLICAZIONE					
XXXX = A	FV025-HW FV025-T3 APPLICATION DRAWING					
	CODICE: FV025					
	SCALA 1:2	A3				
	DATA: 08.09.09					
	DISIGN.: CR					
	CONTR.: DM					
	MOD.					



CLEANING HEADS
MONTECCHIO E. (RE) - ITALY