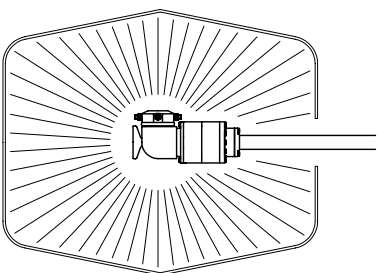
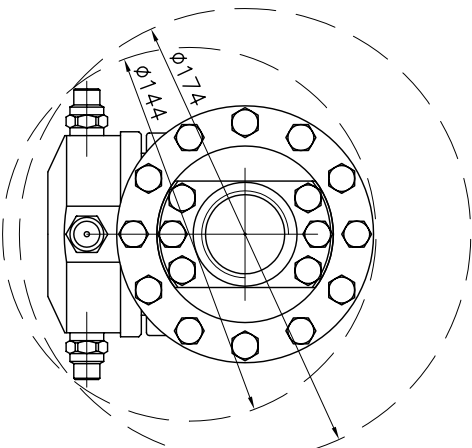
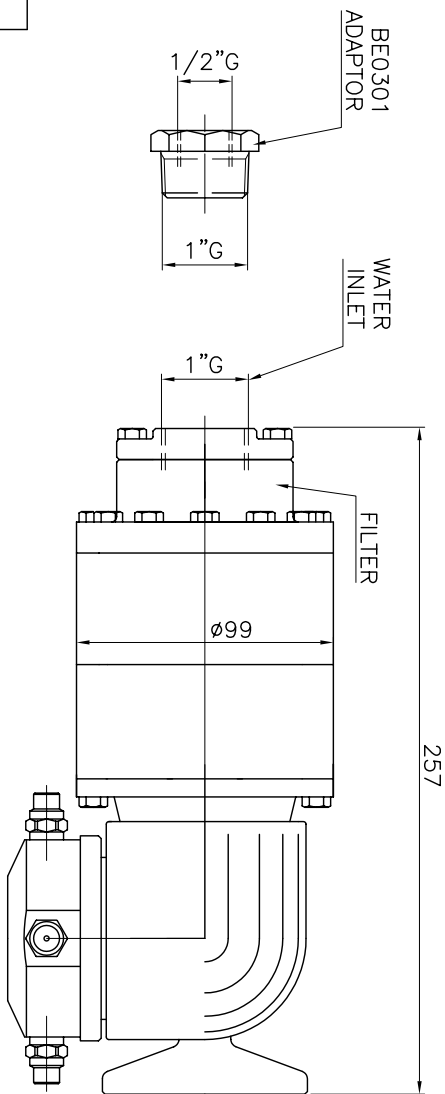


FLOW L/MIN		DIFFUSER POSITION			
		1	2	3	4
	15	13	6		
	30		15	7	
	45			12	7
	60			16	10
		SPINNING SPEED RPM			

TECHNICAL DATA

O.RING	NBR - EPDM - VITON
SLIPPER	PTFE+CARBON FIBRE
BUSHING	AISI 316
FILTER	700 MICRON
NOZZLES POSITIONS	2 - 4
NOZZLES THREAD	1/4"NPT
TESTING NOZZLES	0 x 0000
OPERATING FLOW RANGE	15 - 60 L/min
TESTING FLOW	00 L/min
OPERATING PRESSURE RANGE	5 - 200 bar
TESTING PRESSURE	000 bar
CENTER LINE MIN PASS THROUGH HOLE	174 mm
MANUAL MIN PASS THROUGH HOLE	144 mm
MAX OPERATING TEMPERATURE	90 °C
MATERIAL	INOX AISI 316
CONICAL GEARS	FIXED Z=59 ROTATING Z=61
MODULE	1
DIFFUSER SPEED SETTING POSITIONS	4
ROTATION SPEED	SEE CHART
FULL CYCLE	61 ROTATIONS
FULL CYCLE TIME	3.8 min AT 16 RPM
WEIGHT	9.6 KG



RUGOSITA' (UNI 4600)	MODIFICA	1	2	3	4	5
FOGLIO	FOGLIO	XXXX				
GREZZO	DATA	XX XX XX				
TOLLERANZE GENERALI classe m UNI-EN 22768/1	DESCRIZIONE: RW 086 A APPLICATION DRAWING					
0+6	6-30	30-120	120-400	400-1000	1000-2000	
±0.1	±0.2	±0.3	±0.5	±0.8	±1.2	
NOTE:						
FINITURA 1.6/						
RETIFICA 0.8/						
SCALA	CODICE: RW 086 A					
1:3	A3 O					
DISIGN.: CR ICONTR.: DM						
DATA: 06.10.08						
MOD.						

**Bonomati**  
CLEANING HEADS  
MONTECCHIO E. (RE) - ITALY