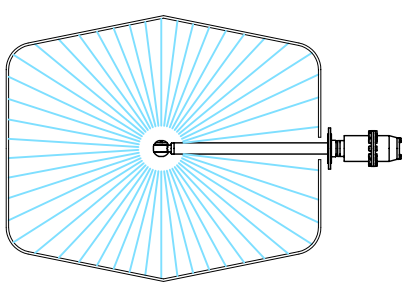
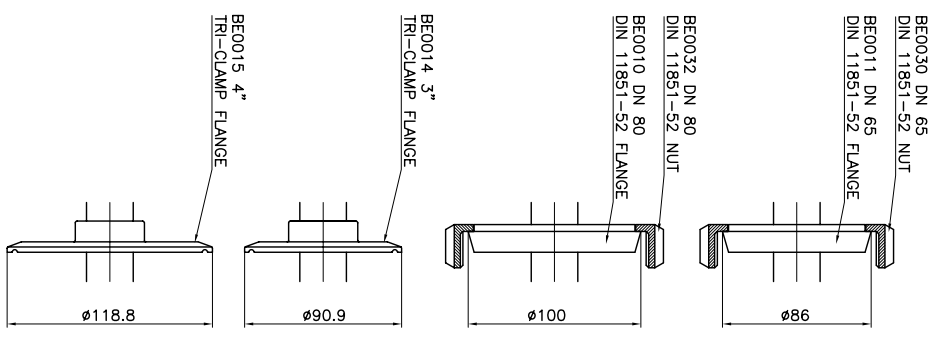
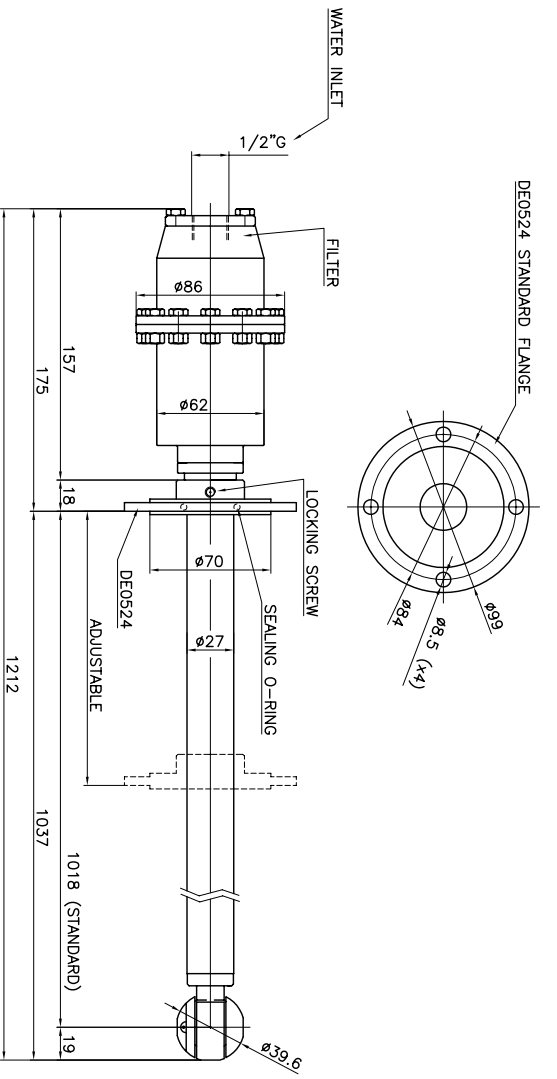


DIFFUSER CODE - HOLES	FLOW L/MIN
DF0401 - 6x1.50	10
DF0403 - 12x2.30	15
DF0403 - 12x2.30	20
DF0405 - 12x2.70	25
DF0406 - 12x3.00	30

TECHNICAL DATA

O-RING	NBR - EPDM - VITON
SLIPPER	PTFE+CARBON FIBRE
BUSHING	ASI 316
FILTER	700 MICRON
NOZZLES POSITIONS	2 - 4
NOZZLES THREAD	SPECIAL XB 030
TESTING NOZZLES	0 x DIA. 00.0
OPERATING FLOW RANGE	10 - 30 L/min
TESTING FLOW	00 L/min
OPERATING PRESSURE RANGE	0 - 200 bar
TESTING PRESSURE	000 bar
CENTER LINE MIN PASS THROUGH HOLE	40 mm
MANUAL MIN PASS THROUGH HOLE	40 mm
PIPE LENGHT	1018 mm (STANDARD)
MAX OPERATING TEMPERATURE	90 °C
MATERIAL	INOX AISI 316
CONICAL GEARS	FIXED Z=23 ROTATING Z=25
MODULE	1
ROTATION SPEED RANGE	15 TO 25 RPM
TESTING DIFFUSER CODE	DF0000 (SEE CHART)
FULL CYCLE	25 ROTATIONS
FULL CYCLE TIME	1.2 min AT 20 RPM
WEIGHT	3.2 KG



RUGOSITA' (UNI 4600)	MODIFICA	1	2	3	4	5
FOGLIO	XXXX					
GREZZO	DATA	XX.XX.XX				
TOLLERANZE GENERALI classe m	UNI-EN	22768/1				
SGROSS.	0-+6	6-+30	30-+120	120-+400	400-+1000	1000-+2000
∇ = 3/2	±0.1	±0.2	±0.3	±0.5	±0.8	±1.2
NOTE:						
FINITURA 1/g	DESCRIZIONE:	XB 031 A APPLICATION DRAWING				
RETTIFICA						
∇∇ = 1/g						
∇∇∇ = 0.8/g						
DISIGN.: CR		CONTR.: DM				
SCALA		MOD.				
CODICE:		1:3 A3 O				
		XB 031 A				

