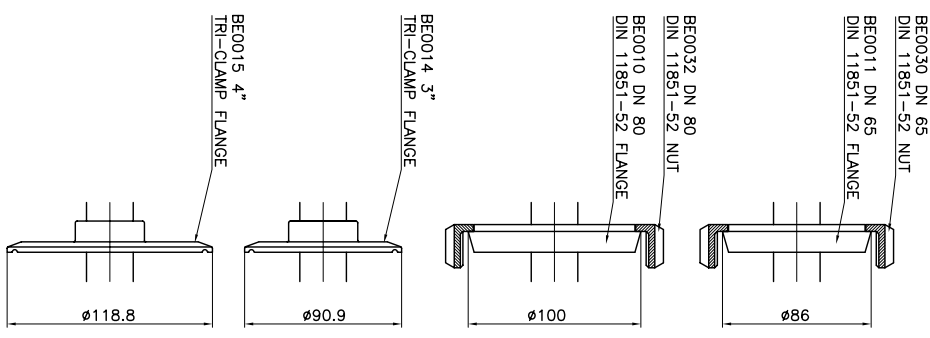
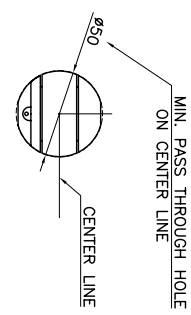
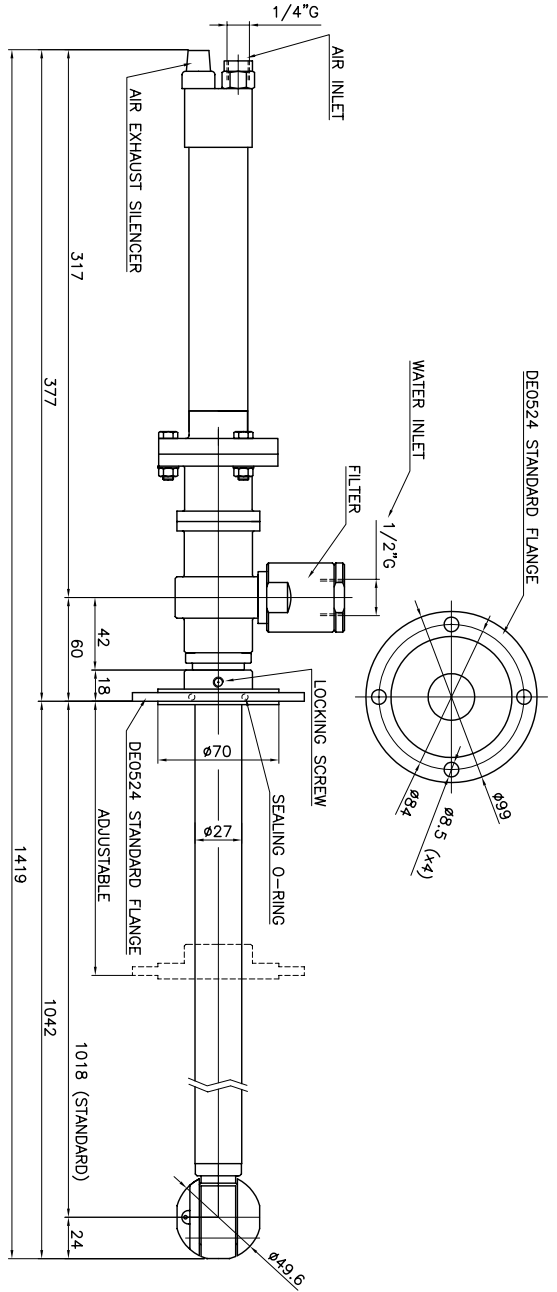
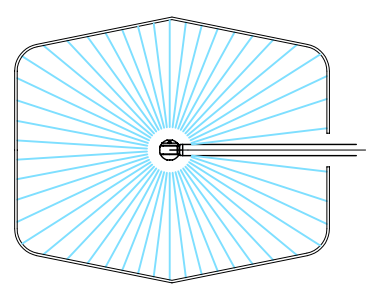


ROTATION SPEED	
AIR PRESSURE AND CONSUMPTION	
19 RPM	1 bar 155 L/min
28 RPM	2 bar 230 L/min
33 RPM	3 bar 275 L/min
37 RPM	4 bar 320 L/min
40 RPM	5 bar 360 L/min
51 RPM	6 bar 395 L/min

TECHNICAL DATA	
O-RING	NBR - EPDM - VITON
SLEPPER	PTFE-CARBON FIBRE
BUSHING	AINI 316
FILTER	700 MICRON
NOZZLES POSITIONS	2 - 4
NOZZLES THREAD	SPECIAL XB 060
TESTING NOZZLES	0 x DIA. 00.0
OPERATING FLOW RANGE	0 - 60 L/min
TESTING FLOW	00 L/min
OPERATING PRESSURE RANGE	0 - 200 bar
TESTING PRESSURE	000 bar
CENTER LINE MIN PASS THROUGH HOLE	50 mm
MANUAL MIN PASS THROUGH HOLE	50 mm
PIPE LENGTH	1018 mm (STANDARD)
MAX OPERATING TEMPERATURE	90 °C
MATERIAL	INOX AISI 316
CONICAL GEARS	FIXED Z=29 ROTATING Z=31
MODULE	1
FULL CYCLE	31 ROTATIONS
FULL CYCLE TIME	1 min AT 3 BAR AIR PRESSURE
AIR MOTOR	BA0705 FIAM M15Z
AIR EXHAUST	WITH SILENCER
ROTATION SPEED	SEE CHART
WEIGHT	7.5 KG



RUGOSITA' (UNI 4600)	MODIFICA	1	2	3	4	5
FOGLIO	XXXX					
GREZZO	DATA	XX XX XX				
TOLLERANZE GENERALI classe m	UNI-EN	22768/1				
SGROSS.	0-+6	6-+30	30-+120	120-+400	400-+1000	1000-+2000
∇ = 3.2/	±0.1	±0.2	±0.3	±0.5	±0.8	±1.2
NOTE:						
FINITURA 1.6/	DESCRIZIONE: XB 061 P					
RETTIFICA 0.8/	APPLICATION DRAWING					
∇∇ = 0.8/	CODICE: XB 061 P					
∇∇∇ = 0.8/	SCALA 1:3 A3 O					
	DISIGN.: CR ICONTR.: DM					
	MONTECCHIO E. (RE) - ITALY					
	DATA: 06.07.09 MOD.					



BOROMATI
CLEANING HEADS
MONTECCHIO E. (RE) - ITALY
DISIGN.: CR ICONTR.: DM
DATA: 06.07.09 MOD.