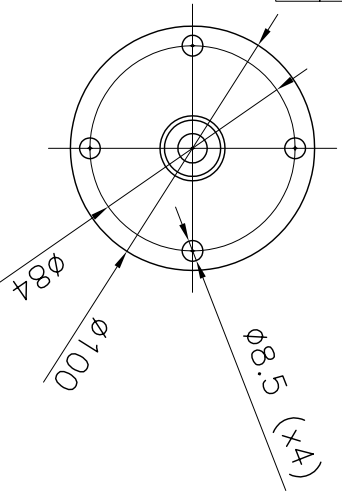
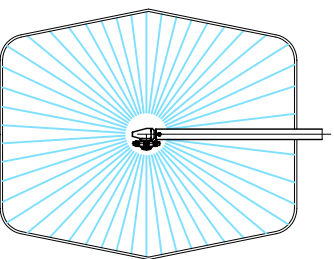
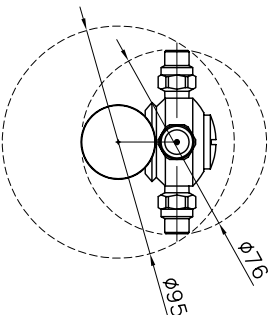


motore elettrico: 24V, 48V, 48V, 230V, 380V, anti-deflagrante
 electric motor: 24V, 48V, 230V, 380V, explosion-proof



flangidatura: coassiale materiale: inox 316 motore: elettrico portata max: 60 l/min pressione max: 400 bar temperatura max: 90°C tenuta: nbr, epdm, viton ugelli: 1/8" G portaugelli: 2-4 vie	flanging: coaxial materials: stainless steel 316 motor: electric flow max: 60 l/min pressure max: 400 bar temperature max: 90°C seals: nbr, epdm, viton nozzles: 1/8" G nozzle holder: 2-4 holes
-----------------------------------------------------------------------------------------------------------------------------------------------------------------------------------------------------------------------	--------------------------------------------------------------------------------------------------------------------------------------------------------------------------------------------------------------------------



RUGOSITA' (UNI 4600)	MODIFICA	1	2	3	4	5	
	FOGLIO	XXXX					
GREZZO	DATA	XX.XX.XX					
	TOLLERANZE GENERALI classe m UNI-EN 22768/1	0-6	6-30	30-120	120-400	400-1000	1000-2000
SGROSS.		±0.1	±0.2	±0.3	±0.5	±0.8	±1.2
NOTE:	VERSION 400 bar						
FINITURA	DESCRIZIONE: DISEGNO DI APPLICAZIONE						
RETTIFICA	XC 060 E INSTALLATION DRAWING						
	XC 060 E						
 CLEANING HEADS MONTECCHIO E. (RE) - ITALY	SCALA	1:3					
	CODICE:	XC 060 E					
DATA: 01.01.05	DISIGN.: CR	CONTR.: DM	MOD.				