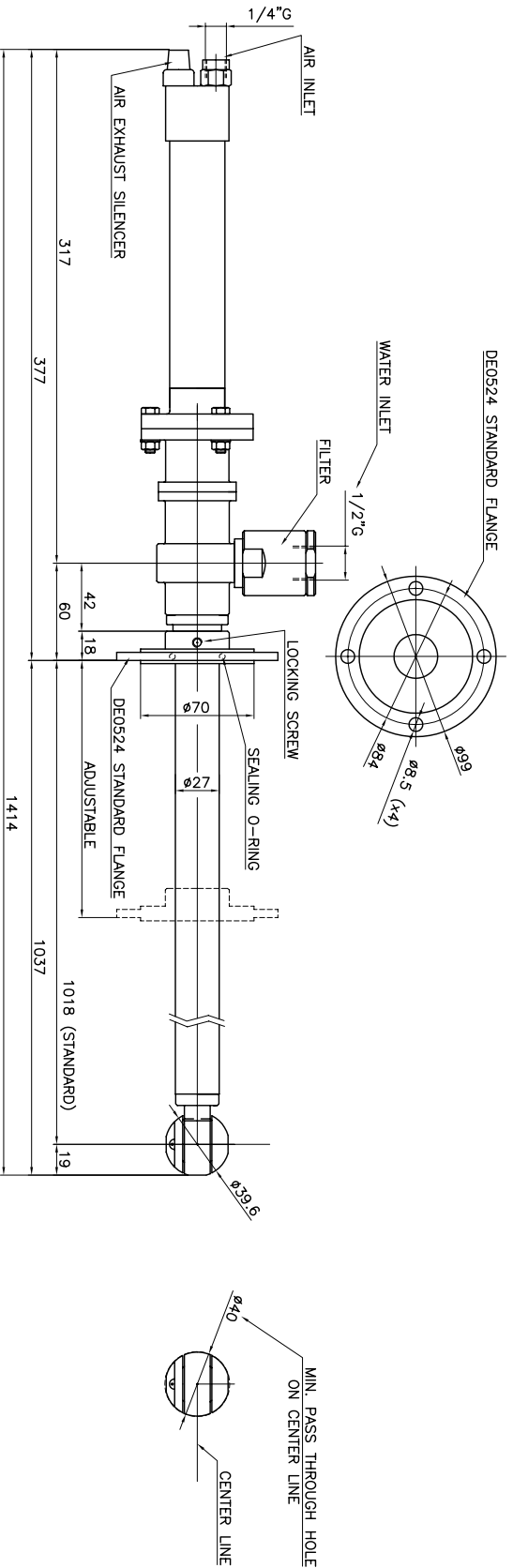


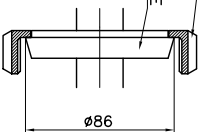
ROTATION SPEED		AIR PRESSURE AND CONSUMPTION	
19 RPM	1 bar	155 L/min	
28 RPM	2 bar	230 L/min	
33 RPM	3 bar	275 L/min	
37 RPM	4 bar	320 L/min	
40 RPM	5 bar	360 L/min	
51 RPM	6 bar	395 L/min	



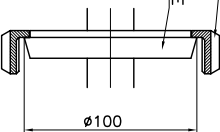
TECHNICAL DATA

O-RING	NBR - EPDM - VITON
SLIPPER	PTFE-CARBON FIBRE
BUSHING	AINI 316
FILTER	700 MICRON
NOZZLES POSITIONS	2 - 4
NOZZLES THREAD	SPECIAL XB 030
TESTING NOZZLES	0 x DIA. 00.0
OPERATING FLOW RANGE	0 - 30 L/min
TESTING FLOW	00 L/min
OPERATING PRESSURE RANGE	0 - 200 bar
TESTING PRESSURE	000 bar
CENTER LINE MIN PASS THROUGH HOLE	40 mm
MANUAL MIN PASS THROUGH HOLE	40 mm
PIPE LENGTH	1018 mm (STANDARD)
MAX OPERATING TEMPERATURE	90 °C
MATERIAL	INOX AISI 316
CONICAL GEARS	FIXED Z=23 ROTATING Z=25
MODULE	1
FULL CYCLE	25 ROTATIONS
FULL CYCLE TIME	1 min AT 3 BAR AIR PRESSURE
AIR MOTOR	BA0705 FIAM M15Z
AIR EXHAUST	WITH SILENCER
ROTATION SPEED	SEE CHART
WEIGHT	7.5 KG

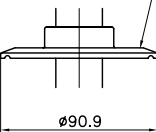
BE0030 DN 65  
DIN 11851-52 NUT



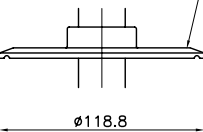
BE0011 DN 65  
DIN 11851-52 FLANGE



BE0014 3\"/>



BE0015 4\"/>



RUGOSITA' (UNI 4600)	MODIFICA	1	2	3	4	5
FOGLIO	XXXX					
GREZZO	DATA	XX.XX.XX				
TOLLERANZE GENERALI classe m UNI-EN 22768/1						
SGROSS. 3.2/	0+6	6-30	30-120	120-400	400-1000	1000-2000
∇ = 3.2/	±0.1	±0.2	±0.3	±0.5	±0.8	±1.2
NOTE:						
FINITURA 1.6/	DESCRIZIONE:	XB 031 P				
∇∇ = 1.6/	APPLICATION DRAWING					
RETTIFICA 0.8/						
∇∇∇ = 0.8/						
CODICE:		XB 031 P				
SCALA		1:3 A3 O				
DISIGN.: CR ICONTR.: DM						
DATA: 06.07.09						
MOD.						

