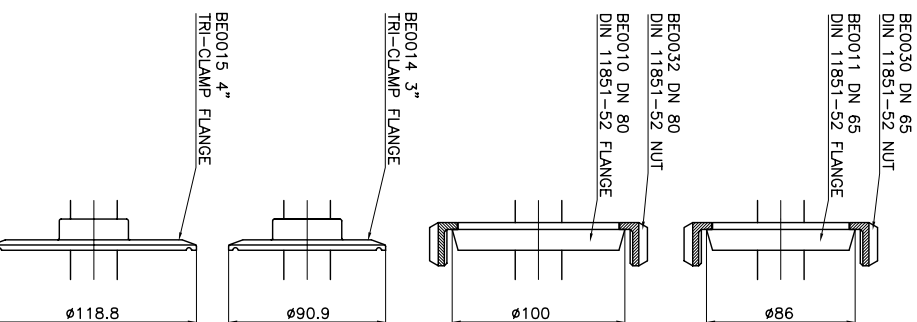
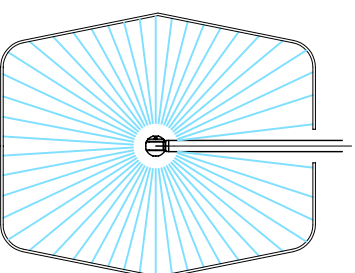


TECHNICAL DATA	
O-RING	NBR - EPDM - VITON
SLIPPER	PTFE-CARBON FIBRE
BUSHING	AINI 316
FILTER	700 MICRON
NOZZLES POSITIONS	2 - 4
NOZZLES THREAD	SPECIAL XB 060
TESTING NOZZLES	0 x DIA. 00.0
OPERATING FLOW RANGE	0 - 60 L/min
TESTING FLOW	00 L/min
OPERATING PRESSURE RANGE	0 - 200 bar
TESTING PRESSURE	000 bar
CENTER LINE MIN PASS THROUGH HOLE	50 mm
MANUAL MIN PASS THROUGH HOLE	50 mm
PIPE LENGTH	1018 mm (STANDARD)
MAX OPERATING TEMPERATURE	90 °C
MATERIAL	INOX AISI 316
CONICAL GEARS	FIXED Z=29 ROTATING Z=31
MODULE	1
FULL CYCLE	31 ROTATIONS
FULL CYCLE TIME	1.5 min
ELECTRIC MOTOR	BB0015
ELECTRIC MOTOR VOLT	24V DC/AC
WEIGHT	7.5 KG



RUGOSITA' (UNI 4600)	MODIFICA	1	2	3	4	5
FOGLIO	XXXX					
GREZZO	DATA	XX XX XX				
TOLLERANZE GENERALI classe m	UNI-EN	22768/1				
SGROSS.	0-+6	6-+30	30-+120	120-+400	400-+1000	1000-+2000
$\nabla$	$\pm 0.1$	$\pm 0.2$	$\pm 0.3$	$\pm 0.5$	$\pm 0.8$	$\pm 1.2$
NOTE:						
FINITURA 1,6/	DESCRIZIONE:	XB 061 E				
RETTIFICA 0,8/	APPLICATION DRAWING					
$\nabla \nabla \nabla = 0,8/$						
	CODICE:	XB 061 E				



**Bonomati**  
CLEANING HEADS  
MONTECCHIO E. (RE) - ITALY  
DISIGN.: CR ICONTR.: DM  
DATA: 06.07.09 MOD.

SCALA 1:3 A3 O