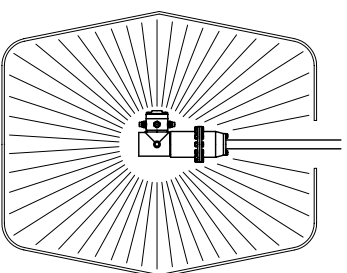
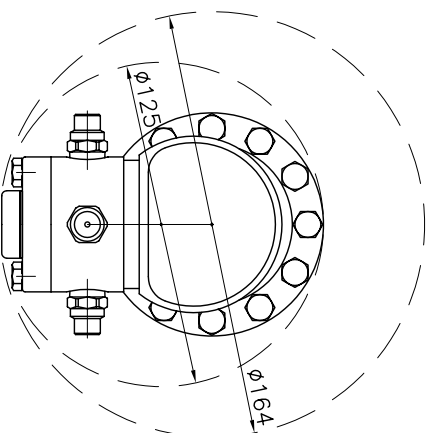
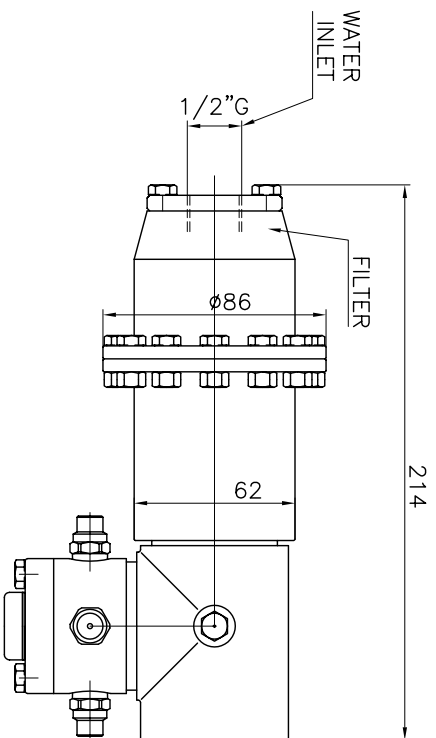



DIFFUSER CODE - HOLES	
10	DF0401 - 6x1.50
15	DF0403 - 12x2.30
20	DF0403 - 12x2.30
25	DF0405 - 12x2.70
30	DF0406 - 12x3.00
35	DF0408 - 12x3.40
40	DF0419 - 18x3.20
45	DF0419 - 18x3.20
50	DF0420 - 18x3.40
55	DF0420 - 18x3.40
60	DF0420 - 18x3.40

TECHNICAL DATA

O.RING	NBR - EPDM - VITON
SLIPPER	PTFE+CARBON FIBRE
BUSHING	AISI 316
FILTER	700 MICRON
NOZZLES POSITIONS	2 - 4
NOZZLES THREAD	1/4"NPT
TESTING NOZZLES	0 x 0000
OPERATING FLOW RANGE	10 - 60 L/min
TESTING FLOW	00 L/min
OPERATING PRESSURE RANGE	5 - 150 bar
TESTING PRESSURE	000 bar
CENTER LINE MIN PASS THROUGH HOLE	164 mm
MANUAL MIN PASS THROUGH HOLE	125 mm
MAX OPERATING TEMPERATURE	90 °C
MATERIAL	INOX AISI 316
CONICAL GEARS	FIXED Z=47 ROTATING Z=48
MODULE	1
ROTATION SPEED RANGE	15 TO 25 RPM
TESTING DIFFUSER CODE	DF0000 (SEE CHART)
FULL CYCLE	48 ROTATIONS
FULL CYCLE TIME	2.4 min AT 20 RPM
WEIGHT	3.2 KG



RUGOSITA' (UNI 4600)	MODIFICA	1	2	3	4	5
FOGLIO	XXXX					
DATA	XX.XX.XX					
GREZZO	TOLLERANZE GENERALI classe m UNI-EN 22768/1					
∅ = ∅	0-6 ±0.1	6-30 ±0.2	30-120 ±0.3	120-400 ±0.5	400-1000 ±0.8	1000-2000 ±1.2
SGROSS.	±0.1	±0.2	±0.3	±0.5	±0.8	±1.2
∇ = ∇	NOTE:					
FINITURA 1g/	DESCRIZIONE: RW 186 A					
∇∇ = ∇	APPLICATION DRAWING					
RETTIFICA 0g/						
∇∇∇ = ∇						
 CLEANING HEADS MONTECCHIO E. (RE) - ITALY DISEGN.: CR ICONTR.: DM DATA: 06.10.08 MOD.: CODICE: RW 186 A SCALA: 1:3 A3 O						