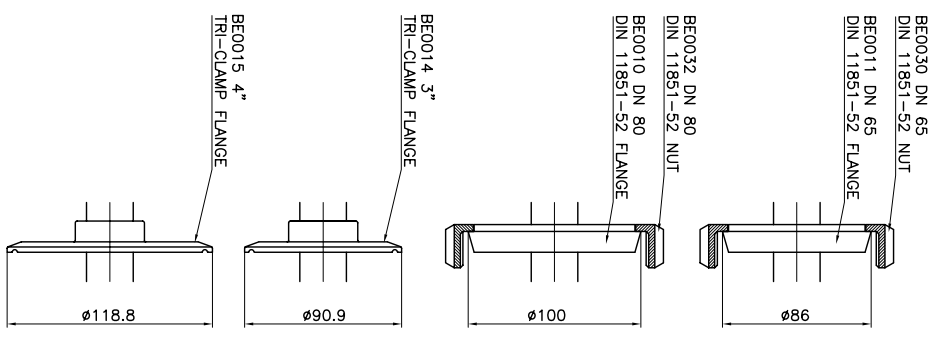
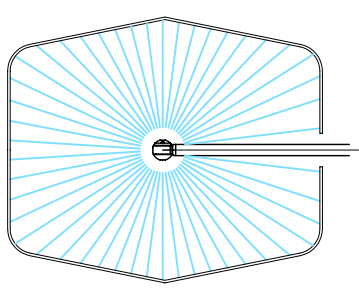


TECHNICAL DATA	
O-RING	NBR - EPDM - VITON
SLIPPER	PTFE-CARBON FIBRE
BUSHING	AINI 316
FILTER	700 MICRON
NOZZLES POSITIONS	2 - 4
NOZZLES THREAD	SPECIAL XB 030
TESTING NOZZLES	0 x DIA. 00.0
OPERATING FLOW RANGE	0 - 30 L/min
TESTING FLOW	00 L/min
OPERATING PRESSURE RANGE	0 - 200 bar
TESTING PRESSURE	000 bar
CENTER LINE MIN PASS THROUGH HOLE	40 mm
MANUAL MIN PASS THROUGH HOLE	40 mm
PIPE LENGTH	1018 mm (STANDARD)
MAX OPERATING TEMPERATURE	90 °C
MATERIAL	INOX AISI 316
CONICAL GEARS	FIXED Z=23 ROTATING Z=25
MODULE	1
FULL CYCLE	25 ROTATIONS
FULL CYCLE TIME	1.5 min
ELECTRIC MOTOR	BB0015
ELECTRIC MOTOR VOLT	24V AC/DC
WEIGHT	7.5 KG



RUGOSITA' (UNI 4600)	MODIFICA	1	2	3	4	5
FOGLIO	XXXX					
GREZZO	DATA	XX.XX.XX				
TOLLERANZE GENERALI classe m UNI-EN 22768/1						
SGROSS. 3.2/	0+6	6-30	30-120	120-400	400-1000	1000-2000
∇ = 3.2/	±0.1	±0.2	±0.3	±0.5	±0.8	±1.2
NOTE:						
FINITURA 1.6/	DESCRIZIONE: XB 031 E					
∇∇ = 1.6/	APPLICATION DRAWING					
RETTIFICA 0.8/						
∇∇∇ = 0.8/						



MONTECCHIO E. (RE) - ITALY
 DISIGN.: CR ICONTR.: DM
 DATA: 06.07.09
 CODICE: XB 031 E
 SCALA: 1:3 A3 O