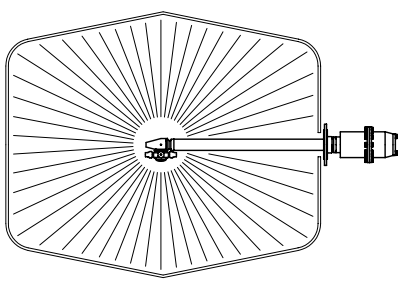
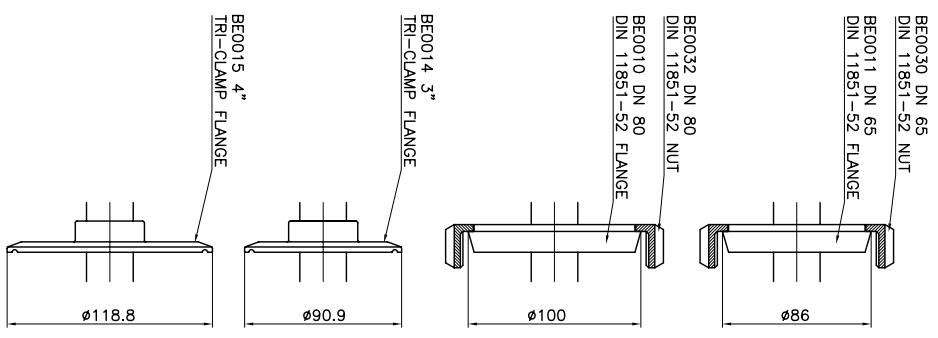
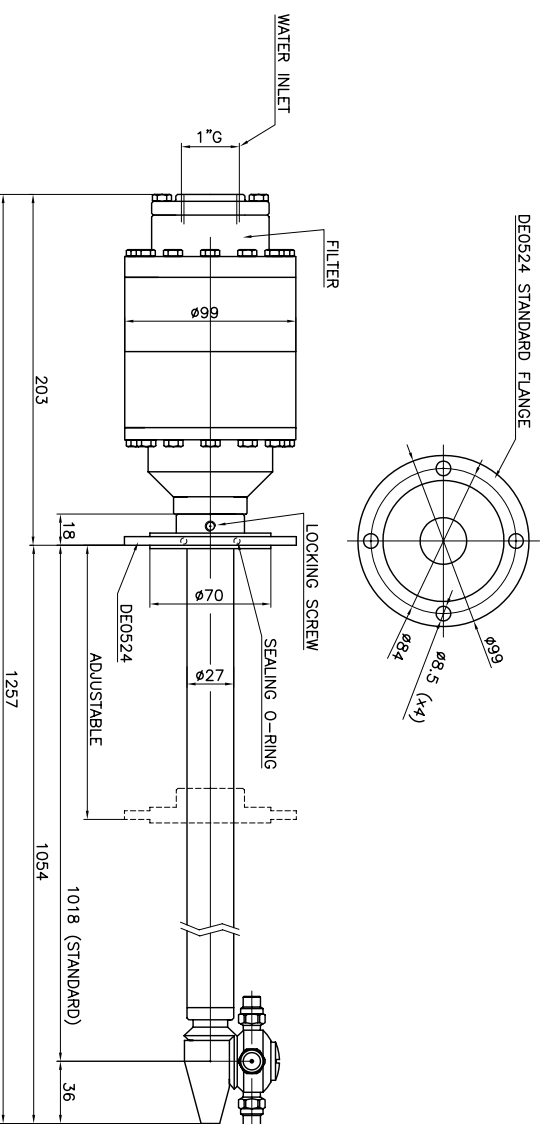


TECHNICAL DATA	
O-RING	NBR - EPDM - VITON
SLIPPER	PTFE+CARBON FIBRE
BUSHING	ANSI 316
FILTER	700 MICRON
NOZZLES POSITIONS	2 - 4
NOZZLES THREAD	1/8"NPT
TESTING NOZZLES	0 x 0000
OPERATING FLOW RANGE	10 - 60 L/min
TESTING FLOW	00 L/min
OPERATING PRESSURE RANGE	0 - 200 bar
TESTING PRESSURE	000 bar
CENTER LINE MIN PASS THROUGH HOLE	95 mm
MANUAL MIN PASS THROUGH HOLE	76 mm
PIPE LENGHT	1018 mm (STANDARD)
MAX OPERATING TEMPERATURE	90 °C
MATERIAL	INOX AISI 316
CONICAL GEARS	FIXED Z=29 ROTATING Z=31
ROTATION SPEED RANGE	15 TO 25 RPM
FULL CYCLE	31 ROTATIONS
FULL CYCLE TIME	1.5 min AT 20 RPM



RUGOSITA' (UNI 4600)	MODIFICA	1	2	3	4	5
GREZZO	FOGLIO	XXXX				
~ = ∅	DATA	XX.XX.XX				
SGROSS. 3.2/∇ = 3.2/∇	TOLLERANZE GENERALI classe m	UNI-EN 22768/1				
FINITURA 1.6/∇∇ = 1.6/∇	0+6	6-30	30-120	120-400	400-1000	1000-2000
RETTIFICA 0.8/∇∇∇ = 0.8/∇	±0.1	±0.2	±0.3	±0.5	±0.8	±1.2
	NOTE:					
	DESCRIZIONE:	XC 061 AAH APPLICATION DRAWING				
	CODICE:	XC 061 AAH				
	SCALA	1:3				
	DISIGN.: CR	A3				
	CONTR.: DM	O				
	DATA: 02.10.08	MOD.				

