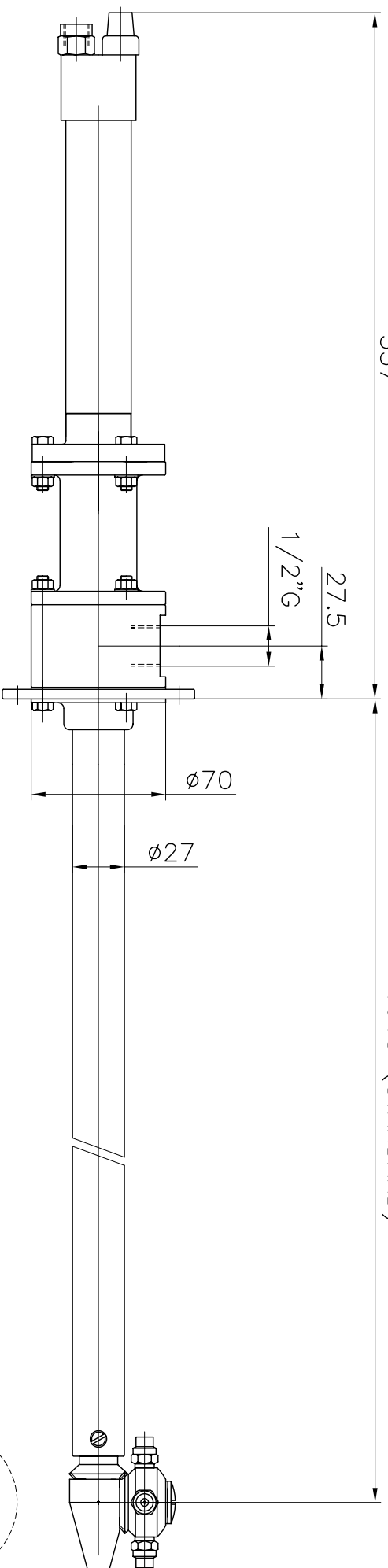


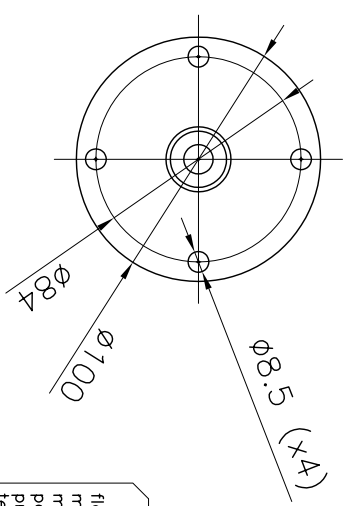
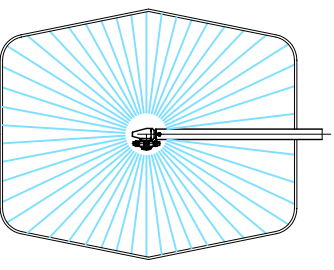
357

1018 (STANDARD)

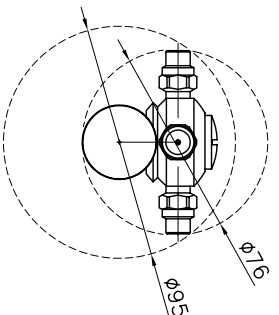


ROTATION SPEED  
AIR PRESSURE AND CONSUMPTION

19 RPM	1 bar	155 L/min
28 RPM	2 bar	230 L/min
33 RPM	3 bar	275 L/min
37 RPM	4 bar	320 L/min
40 RPM	5 bar	360 L/min
51 RPM	6 bar	395 L/min



<p>flangiatura: coassiale materiale: inox 316 motore: pneumatico portata max: 60 l/min pressione max: 400 bar temperatura max: 100°C tenute: nbr, epdm, viton ugelli: 1/8" G portaugelli: 2-4 vie</p>	<p>flanging: coaxial materiale: stainless steel 316 motor: pneumatic flow max: 60 l/min pressure max: 400 bar temperature max: 100°C seals: nbr, epdm, viton nozzles: 1/8" G nozzle holder: 2-4 holes</p>
---	---



RUGOSITA' (UNI 4600)	MODIFICA	1	2	3	4	5
	FOGLIO	XXXX				
GREZZO	DATA	XX.XX.XX				
	TOLLERANZE GENERALI classe m UNI-EN 22768/1	0 ÷ 6	6 ÷ 30	30 ÷ 120	120 ÷ 400	400 ÷ 1000
SGROSS.	±0.1	±0.2	±0.3	±0.5	±0.8	±1.2
NOTE:	VERSION 400 BAR					
FINITURA	DESCRIZIONE: DISEGNO DI APPLICAZIONE					
RETTIFICA	XC 060 P					
	INSTALLATION DRAWING					
	XC 060 P					
<p>CLEANING HEADS MONTECCHIO E. (RE) - ITALY</p>	DISIGN.:	CR	CONTR.:	DM		
	DATA:	01.01.05				
SCALA	1:3		A4		O	
CODICE:	XC 060 P					