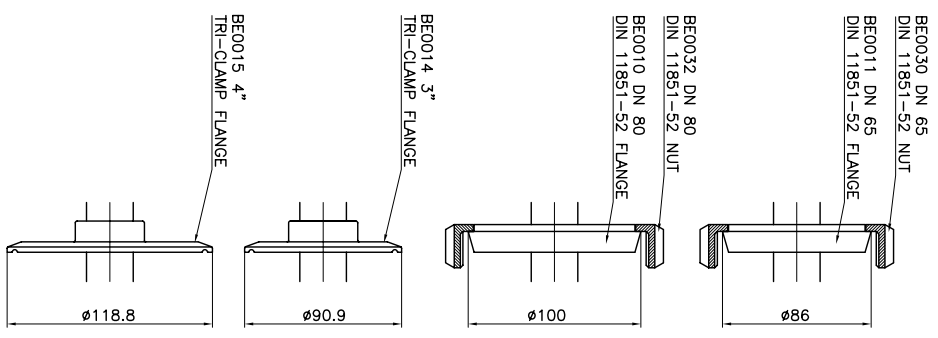
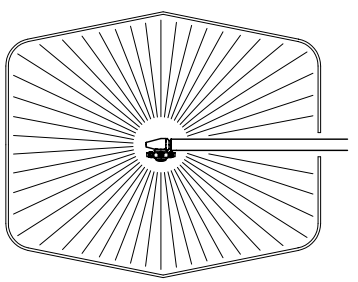


TECHNICAL DATA

O-RING	NBR - EPDM - VITON		
SLIPPER	PTFE+CARBON FIBRE		
BUSHING	AISI 316		
FILTER	700 MICRON		
NOZZLES POSITIONS	2 - 4		
NOZZLES THREAD	1/8"NPT		
TESTING NOZZLES	0 x 0000		
OPERATING FLOW RANGE	0 - 60 L/min		
TESTING FLOW	00 L/min		
OPERATING PRESSURE RANGE	0 - 200 bar		
TESTING PRESSURE	000 bar		
CENTER LINE MIN PASS THROUGH HOLE	95 mm		
MANUAL MIN PASS THROUGH HOLE	76 mm		
PIPE LENGTH	1018 mm (STANDARD)		
MAX OPERATING TEMPERATURE	90 °C		
MATERIAL	INOX AISI 316		
CONICAL GEARS	FIXED Z=29 ROTATING Z=31		
MODULE	1		
FULL CYCLE	31 ROTATIONS		
GEARBOX	W/MOTOR	BB0743	BB0743
ELECTRIC MOTOR	BB0015	BA0105	BA0102
ELECTRIC MOTOR VOLTS	24V AC/DC	48V 50Hz 1ph	230V 50Hz 1ph
ELECTRIC MOTOR AMPS	0.30 A	1.15 A	0.23 A
ROTATION SPEED	17 RPM	14 RPM	14 RPM
FULL CYCLE TIME	1.8 min	2.2 min	2.2 min
WEIGHT	7.5 KG		



RUGOSITA' (UNI 4600)	MODIFICA	1	2	3	4	5
GREZZO	FOGLIO	XXXX				
~ = ∅	DATA	XX.XX.XX				
SGROSS. 3.2/	TOLLERANZE GENERALI classe m	UNI-EN 22768/1				
∇ = 3.2/	±0.1	±0.2	±0.3	±0.5	±0.8	±1.2
FINITURA 1.6/	NOTE:					
RETTIFICA 0.8/	DESCRIZIONE: XC 061 E					
∇∇∇ = 0.8/	APPLICATION DRAWING					



**Bonomati**  
CLEANING HEADS  
MONTECCHIO E. (RE) - ITALY  
DISIGN.: CR ICONTR.: DM  
DATA: 06.10.08 MOD.

SCALA 1:3 A3 O

CODICE: XC 061 E