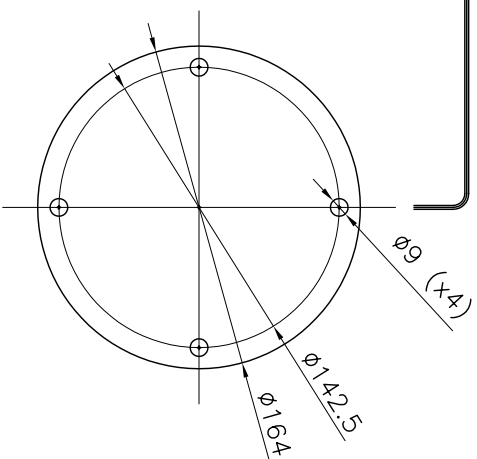
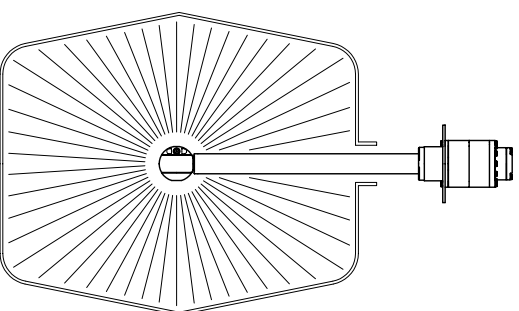


TECHNICAL DATA

O-RING	NBR - EPDM - VITON
SLIPPER	PTFE+CARBON FIBRE
BUSHING	AINI 316
FILTER	700 MICRON
NOZZLES POSITIONS	2 - 4
NOZZLES THREAD	SPECIAL
TESTING NOZZLES	0 x DR0000
OPERATING FLOW RANGE	60 - 120 L/min
TESTING FLOW	000 L/min
OPERATING PRESSURE RANGE	5 - 200 bar
TESTING PRESSURE	000 bar
CENTER LINE MIN PASS THROUGH HOLE	74 mm
MANUAL MIN PASS THROUGH HOLE	74 mm
MAX OPERATING TEMPERATURE	90 °C
MATERIAL	INOX AISI 316
CONICAL GEARS	FIXED Z=39 ROTATING Z=59
MODULE	1
DIFFUSER SPEED SETTING OPENINGS	4
TESTING DIFFUSER OPENING	X/X/X/X
ROTATION SPEED	SEE CHART
FULL CYCLE	59 ROTATIONS
FULL CYCLE TIME	3 min AT 20 RPM
WEIGHT	9.6 KG



FLOW L/MIN	DIFFUSER OPENING				
60	3	3/6	3/6/9	3/6/9/12	
80	18	24	18	13	
100			22	16	
120			27	20	16



RUGOSITA' (UNI 4600)	MODIFICA 1	2	3	4	5
GREZZO	FOGLIO XXXX				
SGROSS. 3.2/	DATA XX.XX.XX				
FINITURA 1.6/	TOLLERANZE GENERALI classe m UNI-EN 22768/1				
RETTIFICA 0.8/	0±0.1 6±0.30 30±120 120±400 400±1000 1000±2000				
▽▽ = √	±0.1 ±0.2 ±0.3 ±0.5 ±0.8 ±1.2				
▽ = √	NOTE:				
MATERIALE: INOX					
DESCRIZIONE: XB 100 A					
INSTALLATION DRAWING					
CODICE: XB 100 A					

Bonomi
CLEANING HEADS
MONTECCHIO E. (RE) - ITALY
DISEGN.: CR CONTR.: DM
DATA: 28.04.09 MOD.

SCALA 1:3 A4 O