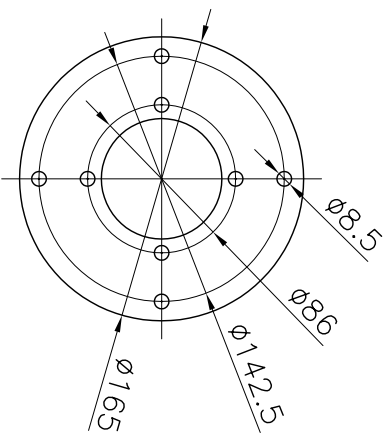
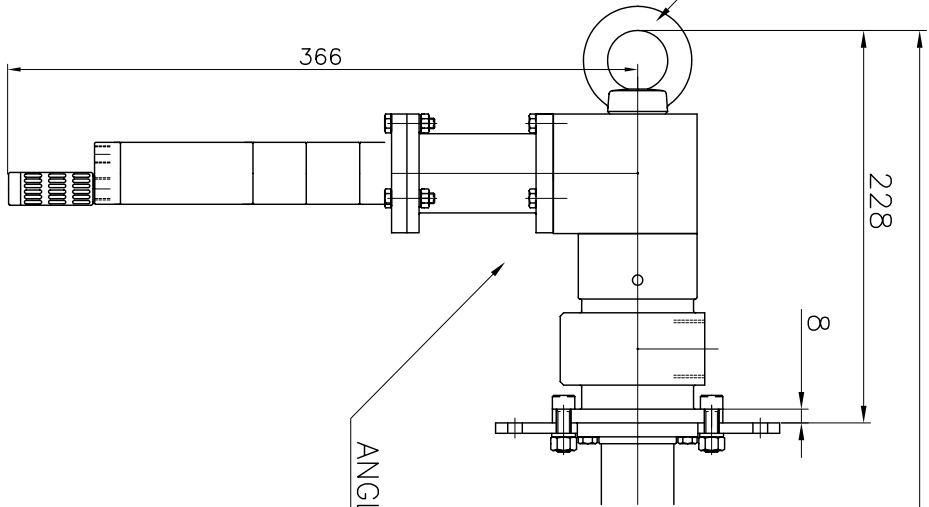
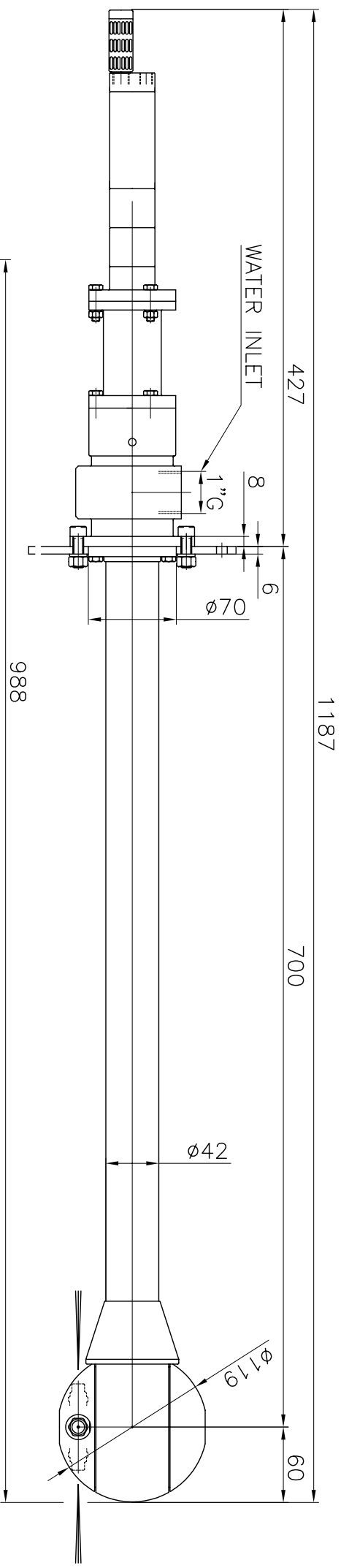


AIR PRESSURE AND CONSUMPTION			
ROTATION SPEED	29 RPM	1 bar	264 L/min. AIR
ROTATION SPEED	42 RPM	2 bar	288 L/min. AIR
ROTATION SPEED	51 RPM	3 bar	300 L/min. AIR
ROTATION SPEED	58 RPM	4 bar	306 L/min. AIR
ROTATION SPEED	62 RPM	5 bar	312 L/min. AIR
ROTATION SPEED	66 RPM	6 bar	324 L/min. AIR



ANGLE DRIVE OPTION



TECHNICAL DATA

O. RING	EPDM
SLIPPER	PTFE+CARBON FIBER
BUSHING	NICKEL BRONZE 25%
NOZZLES POSITIONS	2 - 4
NOZZLES SIZE	1/4"NPT
MAX OPERATING FLOW	200 L/min
MAX OPERATING PRESSURE	200 bar
MIN PASS THROUGH HOLE	120 mm ON CENTER LINE
MAX TEMPERATURE	90 °C
MATERIAL	INOX AISI 316
GEARS	FIXED Z=39 ROTATING Z=95
MODULE	1
FULL CYCLE	95 ROTATIONS
FULL CYCLE TIME	2 MIN. AT 3 BAR AIR PRESSURE
AIR MOTOR	ATLAS COPCO INOX
AIR EXHAUST	FESTO SILENCER BP 415 ON MOTOR
WEIGHT	4.9 KG

RUGOSITA' (UNI 4600)	MODIFICA	1	2	3	4	5
GREZZO	FOGLIO	XXXX				
SGROSS. 3.2/	DATA	XX.XX.XX				
FINITURA 1.6/	TOLLERANZE GENERALI classe m UNI-EN 22768/1					
RETTIFICA 0.8/	0±0.1 6÷30 30÷120120÷400400÷10001000÷2000					
	±0.1 ±0.2 ±0.3 ±0.5 ±0.8 ±1.2					
	NOTE: file: XB 200PEAB.01 comm					
MATERIALE: INOX	DESCRIZIONE: XB 200 P					
	INSTALLATION DRAWING					
CODICE: XB 200P		SCALA: 1:4		A4		O
		DATE: 27.02.08		DESIGN.: CR		CONTR.: DM
				MONTECCHIO E. (RE) - ITALY		
				CLEANING HEADS		
				Boymo		