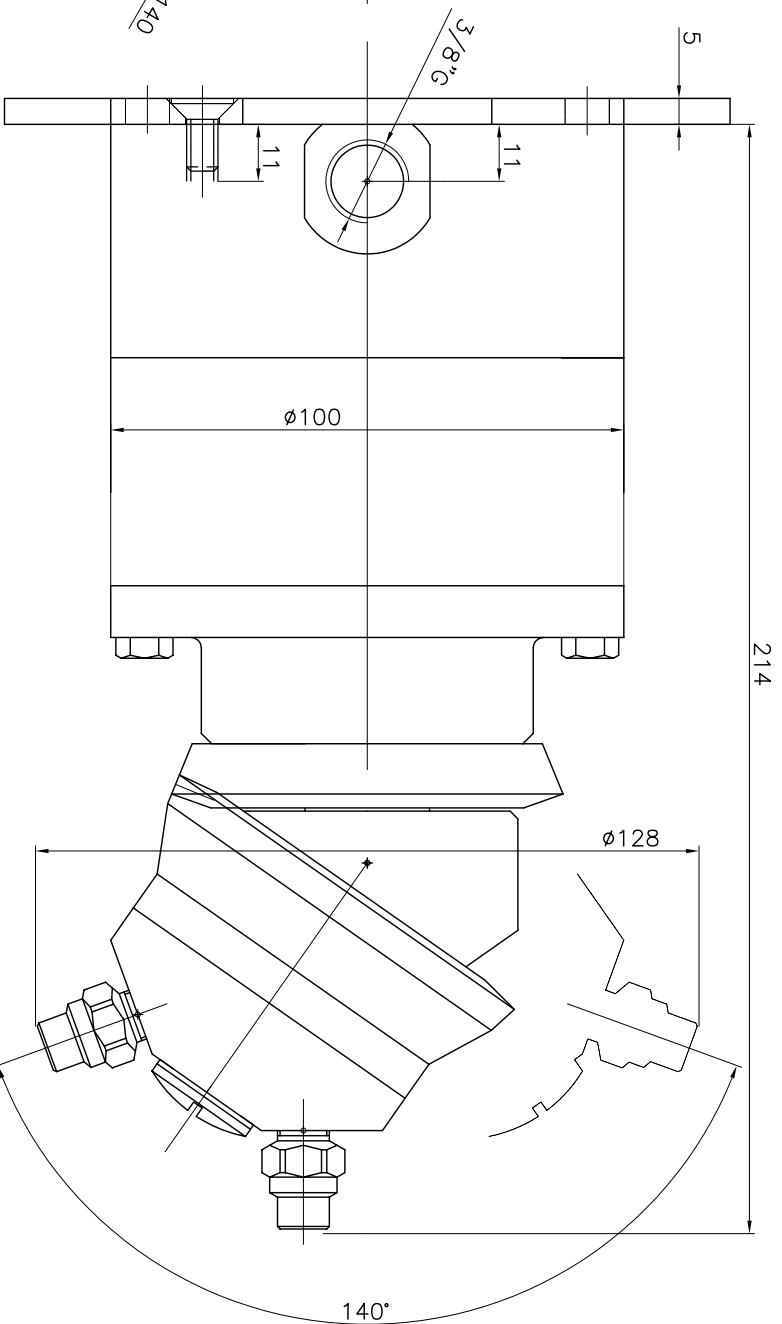
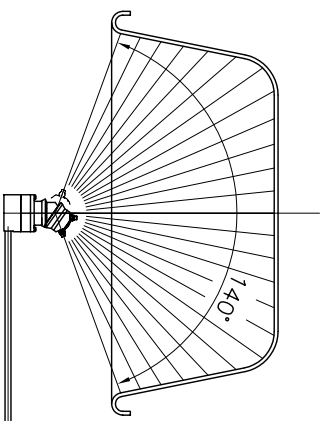


TECHNICAL DATA

O.RING	NBR - EPDM - VITON
SLIPPER	PTFE+CARBON FIBRE
BUSHING	AISI 316
FILTER	700 MICRON
NOZZLES POSITIONS	2 - 4
NOZZLES THREAD	1/8" NPT
TESTING NOZZLES	0 x 0000
OPERATING FLOW RANGE	15 - 60 L/min
TESTING FLOW	00 L/min
OPERATING PRESSURE RANGE	5 - 200 bar
TESTING PRESSURE	000 bar
CENTER LINE MIN PASS THROUGH HOLE	140 mm
MANUAL MIN PASS THROUGH HOLE	140 mm
MAX OPERATING TEMPERATURE	90 °C
MATERIAL	INOX AISI 316
CONICAL GEARS	FIXED Z=37 ROTATING Z=39
MODULE	2
DIFFUSER SPEED SETTING POSITIONS	4
TESTING DIFFUSER POSITION	X
ROTATION SPEED	SEE CHART
FULL CYCLE	39 ROTATIONS
FULL CYCLE TIME	26 sec. AT 90 RPM
WEIGHT	9.6 KG



FLOW L/MIN	DIFFUSER POSITION			
	1	2	3	4
15	78	36		
30		90	42	
45			72	42
60			96	60
			SPINNING SPEED	RPM



RUGOSITA' (UNI 4600)	MODIFICA	1	2	3	4	5
FOGLIO	XXXX					
GREZZO	DATA	XX	XX	XX	XX	XX
~ = ∅	TOLLERANZE GENERALI classe m UNI-EN 22768/1					
SGROSS. 3.2/	0-6 ±0.1	6-30 ±0.2	30-120 ±0.3	120-400 ±0.5	400-1000 ±0.8	1000-2000 ±1.2
∇ = 3.2/	NOTE:					
FINITURA 1.6/	MATERIALE: AISI 304					
∇∇ = 1.6/						
RETTIFICA 0.8/	DESCRIZIONE: SW060 WKL 01 SIDE INLET					
∇∇∇ = 0.8/	FRONTAL PATTERN 140°					
	DESCRIZIONE: SW060 WKL 01 SIDE INLET					
	FRONTAL PATTERN 140°					

file: SW 060WKL 01 cm



MONTECCHIO E. (RE) - ITALY

DISIGN.: GR ICONTR.: DM

DATA: 20.02.09

MOD.

SCALE 1:1

codice: SW 060WKL 01