

APERTURA DIFFUSORE DIFFUSER OPENING			
PORTATA FLOW L/MIN	3	3/6	3/6/9
60	12	8	
80	16	12	9
100		15	11
120		18	13
140			16
160			18
180			16
200			16

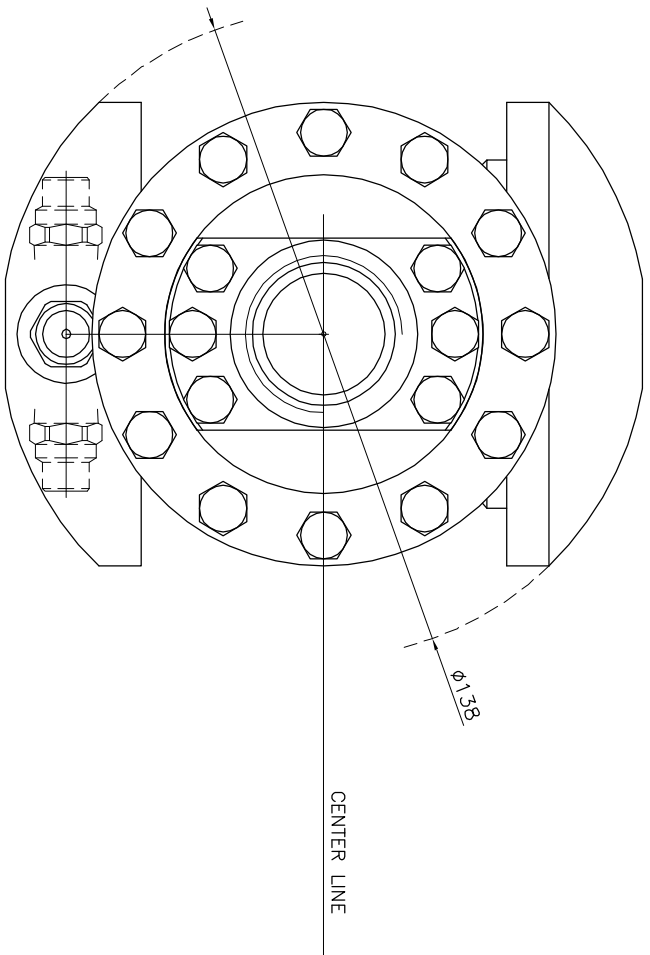
  

VELOCITA' ROTAZIONE GIR/MIN SPINNING SPEED RPM	
3/6/9/12	16

PRESSIONE PRESSURE RANGE	5#200 BAR
PORTATA FLOW	60#200 L/MIN
TEMPERATURA MAX MAX TEMPERATURE	90°C
MATERIALE MATERIALS	ANSI 316 INOX STAINLESS STEEL
PESO WEIGHT	9.6 KG

CICLO COMPLETO IN 73 GIRI  
COMPLETES PATTERN IN 73 ROTATIONS

NUMERO UGELLI NOZZLES POSITIONS	4
FILETTO UGELLI NOZZLES THREAD	1/4"NPT



RUGOSITA' (UNI 4600)	MODIFICA	1	2	3	4	5
GREZZO	FOGLIO	XXXX				
~	DATA	XX.XX.XX				
∅	TOLLERANZE GENERALI	cassa m. UNI-EN 22768/1				
±0.1	±0.2	±0.3	±0.5	±0.8	±1.2	
∇	SGROSS.	3.2/				
∇	FINITURA	1.6/				
∇∇	RETTIFICA	0.8/				
∇∇∇	MATERIALE:	DESCRIZIONE: INSTALLATION DRAWING RW 200AU DN 150 ON CENTER LINE VERSION				
	MOD.	CODICE: RW 200AU				

**Bolton**  
CLEANING HEADS  
MONTECHIO E. (RE) - ITALY

DATA: 12.10.07  
DISEGN.: CR | CONTR.: DM  
SP4A

1:1 A3 0