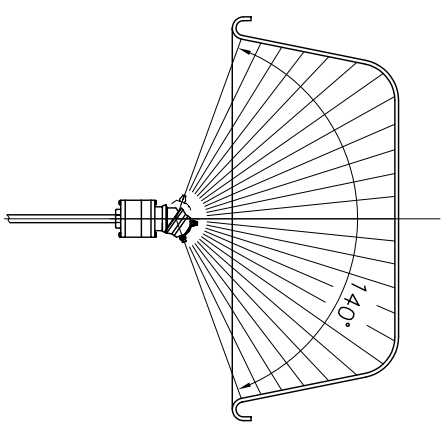


TECHNICAL DATA

O.RING	NBR - EPDM - VITON
SLIPPER	PTFE+CARBON FIBRE
BUSHING	AISI 316
FILTER	700 MICRON
NOZZLES POSITIONS	2 - 4
NOZZLES THREAD	1/8" NPT
TESTING NOZZLES	0 x 0000
OPERATING FLOW RANGE	15 - 60 L/min
TESTING FLOW	00 L/min
OPERATING PRESSURE RANGE	5 - 200 bar
TESTING PRESSURE	000 bar
CENTER LINE MIN PASS THROUGH HOLE	128 mm
MANUAL MIN PASS THROUGH HOLE	100 mm
MAX OPERATING TEMPERATURE	90 °C
MATERIAL	INOX AISI 316
CONICAL GEARS	FIXED Z=37 ROTATING Z=39
MODULE	2
DIFFUSER SPEED SETTING POSITIONS	4
TESTING DIFFUSER POSITION	X
ROTATION SPEED	SEE CHART
FULL CYCLE	39 ROTATIONS
FULL CYCLE TIME	26 sec. AT 90 RPM
WEIGHT	9.6 KG

FLOW L/MIN		DIFFUSER POSITION			
15	78	1	2	3	4
30	90				
45				72	42
60				96	60
				SPINNING SPEED	RPM



RUGOSITA' (UNI 4600)	MODIFICA	1	2	3	4	5
FOGLIO	XXXX					
DATA	XX.XX.XX					
GREZZO	TOLLERANZE GENERALI classe m UNI-EN 22768/1					
~ = ∅	0-6 ±0.1 6-30 ±0.2 30-120 ±0.3 120-400 ±0.5 400-1000 ±0.8 1000-2000 ±1.2					
SGROSS.	NOTE:					
∇ = 3/2						
FINITURA 1/g	MATERIALE: AISI 304					
∇∇ = 1/g						
RETTIFICA 0/g						
∇∇∇ = ∇						
DESCRIZIONE: SW060 WKC 01 cm1 WITH FILTER	DESCRIZIONE: SW060 WKC 01 cm1 WITH FILTER					
FRONTAL PATTERN 140°	FRONTAL PATTERN 140°					
COPIE: SW 060WKC 01	COPIE: SW 060WKC 01					
SCALE 1:1	SCALE 1:1					
A3	A3					
O	O					
DISIGN.: GR ICONTR.: DM	DISIGN.: GR ICONTR.: DM					
DATA: 16.02.09	DATA: 16.02.09					
MOD.	MOD.					

file: SW 060WKC 01 cm1



Bonomati
CLEANING HEADS
MONTECOCHIO E. (RE) - ITALY