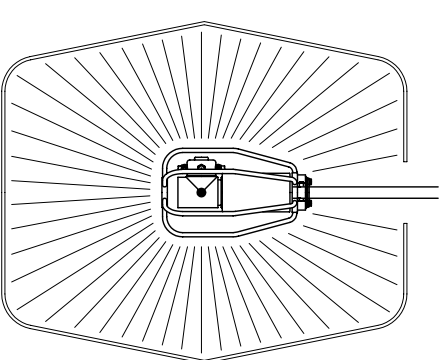
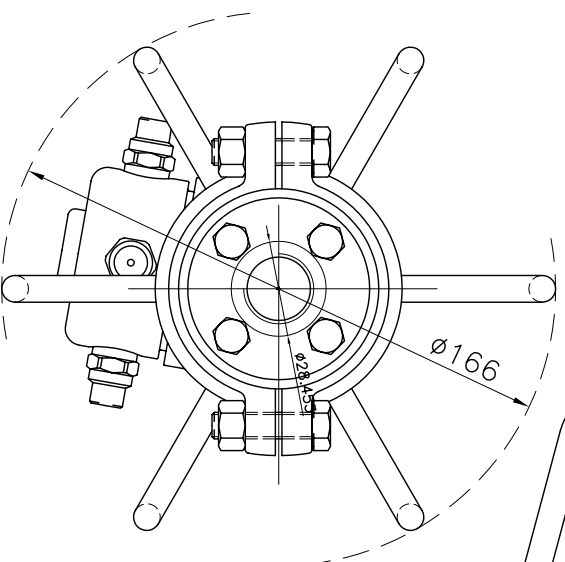
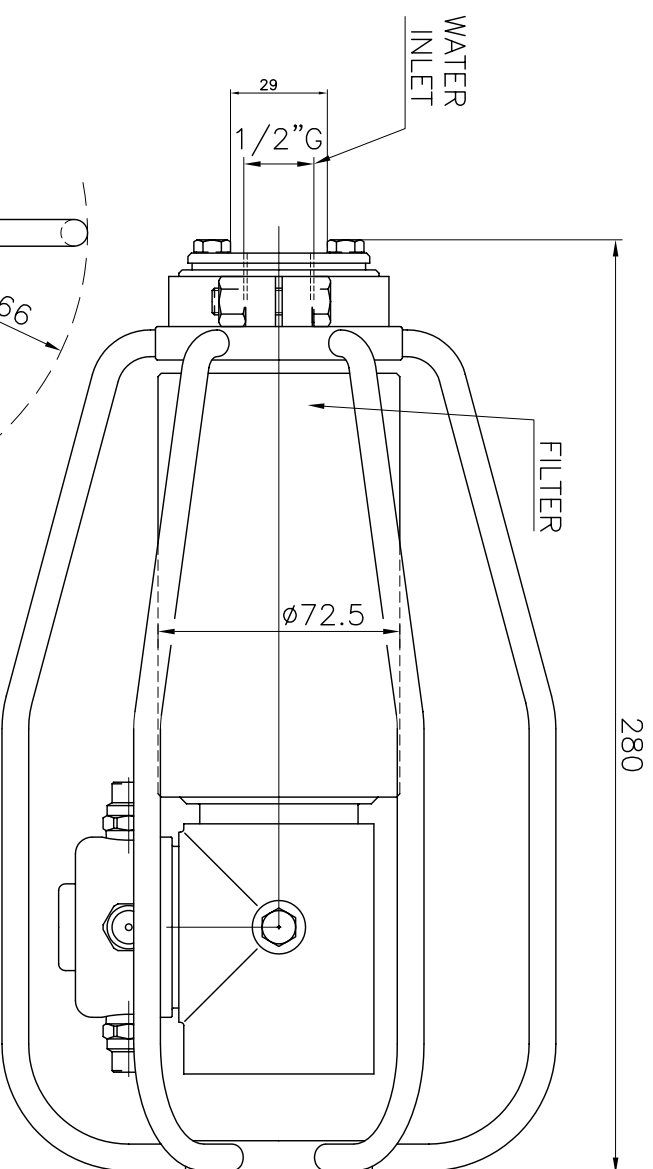


FLOW L/MIN		DIFFUSER CODE - HOLES
10 - 12	DF0504 - 2x3.00	
12 - 15	DF0508 - 3x3.00	
15 - 18	DF0512 - 4x3.00	
18 - 20	DF0516 - 6x3.00	
20 - 25	DF0520 - 8x3.00	
25 - 35	DF0524 - 12x3.00	
35 - 45	DF0528 - 12x3.40	
45 - 60	DF0532 - 18x3.40	

TECHNICAL DATA

O.RING	NBR - EPDM - VITON
SLIPPER	PTFE+CARBON FIBRE
BUSHING	AINI 316
FILTER	700 MICRON
NOZZLES POSITIONS	2 - 4
NOZZLES THREAD	1/4"NPT
TESTING NOZZLES	0 x 0000
OPERATING FLOW RANGE	10 - 60 L/min
TESTING FLOW	00 L/min
OPERATING PRESSURE RANGE	5 - 150 bar
TESTING PRESSURE	000 bar
CENTER LINE MIN PASS THROUGH HOLE	168 mm
MANUAL MIN PASS THROUGH HOLE	168 mm
MAX OPERATING TEMPERATURE	90 °C
MATERIAL	INOX AISI 316
CONICAL GEARS	FIXED Z=46 ROTATING Z=47
MODULE	1
ROTATION SPEED RANGE	15 TO 25 RPM
TESTING DIFFUSER CODE	DF0000 (SEE CHART)
FULL CYCLE	47 ROTATIONS
FULL CYCLE TIME	2.4 min AT 20 RPM
WEIGHT	3.9 KG



RUGOSITA' (UNI 4600)	MODIFICA	1	2	3	4	5
GREZZO	FOGLIO					
SGROSS. 32/	DATA					
NOTE:	TOLLERANZE GENERALI classe m UNI-EN 22768/1					
	0±6 6±30 30±120 120±400 400±1000 1000±2000					
	±0.1 ±0.2 ±0.3 ±0.5 ±0.8 ±1.2					
FINITURA 1.6/	DESCRIZIONE: RW 190A					
RETTIFICA 0.8/	URACA VERSION WITH CAGE					
	APPLICATION DRAWING					
	CODICE:	RW 190A				
	SCALE	1:2	A4	MOD.		
	DATA:	15.02.12		DISIGN.: CR   CONTR.: DM		
	MONTECCHIO E. (RE) - ITALY					
	BOROMOFF CLEANING HEADS					