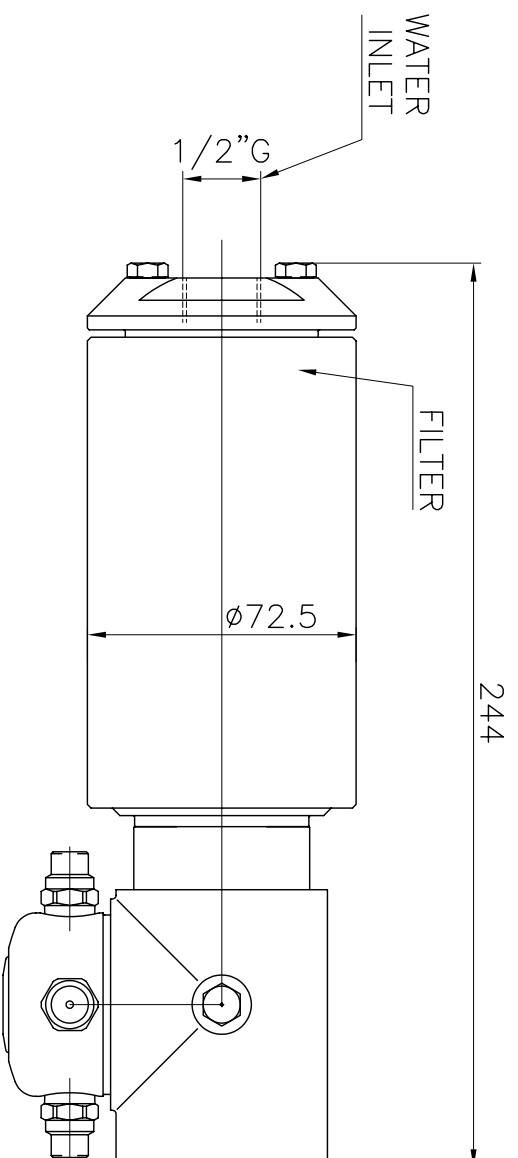
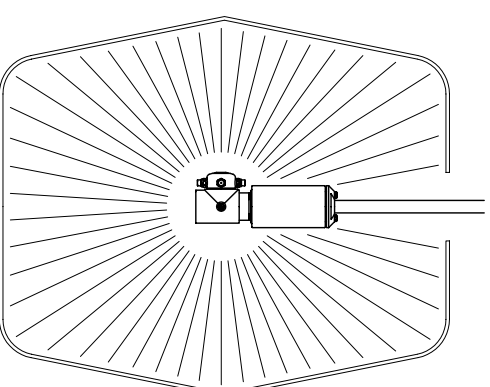
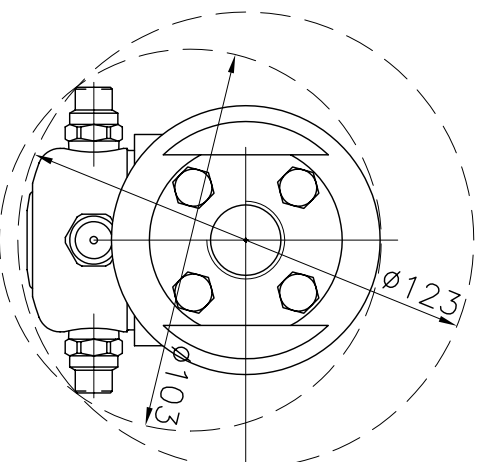



DIFFUSER CODE - HOLES	
10 - 12	DF0504 - 2x3,00
12 - 15	DF0508 - 3x3,00
15 - 18	DF0512 - 4x3,00
18 - 20	DF0516 - 6x3,00
20 - 25	DF0520 - 8x3,00
25 - 35	DF0524 - 12x3,00
35 - 45	DF0528 - 12x3,40
45 - 60	DF0532 - 18x3,40



TECHNICAL DATA

O-RING	NBR - EPDM - VITON
SLIPPER	PTFE+CARBON FIBRE
BUSHING	ASI 316
FILTER	700 MICRON
NOZZLES POSITIONS	2 - 4
NOZZLES THREAD	1/4"NPT
TESTING NOZZLES	0 x 0000
OPERATING FLOW RANGE	10 - 60 L/min
TESTING FLOW	00 L/min
OPERATING PRESSURE RANGE	5 - 150 bar
TESTING PRESSURE	000 bar
CENTER LINE MIN PASS THROUGH HOLE	123 mm
MANUAL MIN PASS THROUGH HOLE	103 mm
MAX OPERATING TEMPERATURE	90 °C
MATERIAL	INOX ASI 316
CONICAL GEARS	FIXED Z=46 ROTATING Z=47
MODULE	1
ROTATION SPEED RANGE	15 TO 25 RPM
TESTING DIFFUSER CODE	DF0000 (SEE CHART)
FULL CYCLE	47 ROTATIONS
FULL CYCLE TIME	2.4 min AT 20 RPM
WEIGHT	3.9 KG



RUGOSITA' (UNI 4600)	MODIFICA	1	2	3	4	5
	FOGLIO					
GREZZO	DATA					
	TOLLERANZE GENERALI classe m UNI-EN 22768/1	0÷6	6÷30	30÷120	120÷400	400÷1000
SGROSS.	±0.1	±0.2	±0.3	±0.5	±0.8	±1.2
NOTE:						
FINITURA	DESCRIZIONE: RW 190-A.01 APPLICATION DRAWING					
RETTIFICA						
	CODICE: RW190A					
	 CLEANING HEADS MONTECCHIO E. (RE) - ITALY DISEGN.: CR CONTR.: DM DATA: 01.06.2012 MOD. Scala 1:2 A4 1					