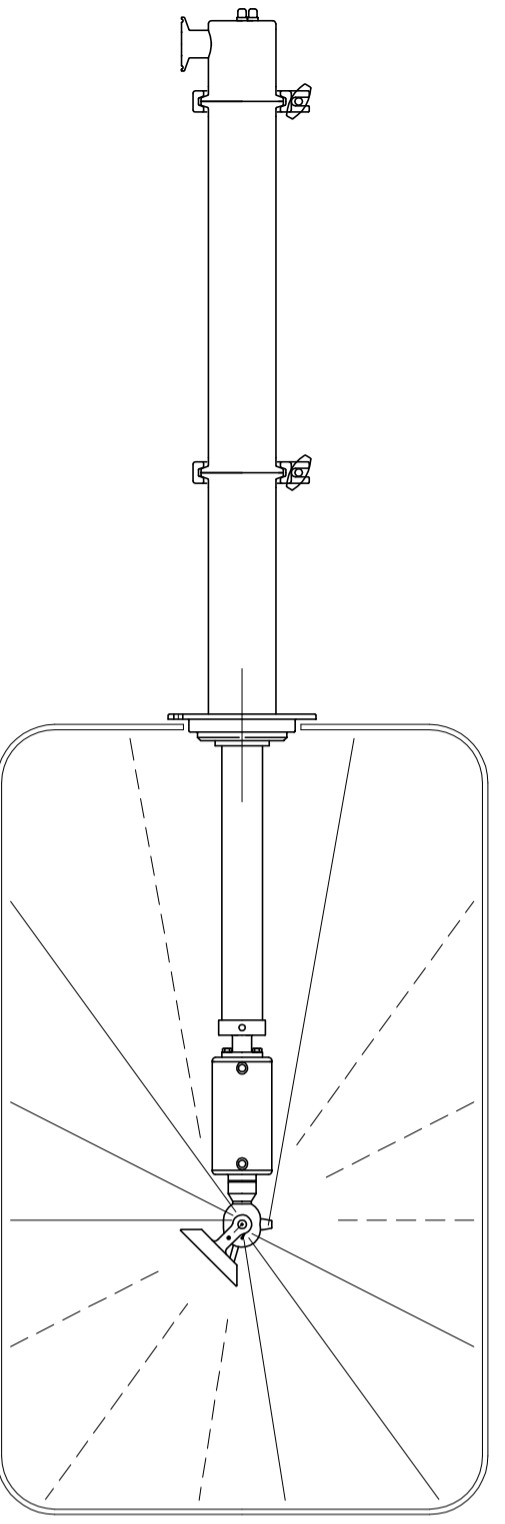


TECHNICAL DATA				
O-RINGS	FDA EPDM			
BUSHINGS	PEEK			
NOZZLES POSITIONS	7 x $\phi 3.0$			
NOZZLES TYPE	INTEGRATED			
OPERATING FLOW RANGE	50 TO 100 L/min			
OPERATING PRESSURE RANGE	3 TO 10 bar			
MAX OPERATING TEMPERATURE	90 °C			
MATERIAL	INOX AISI 316 + PEEK			
ROTATION SPEED RANGE	12 TO 27 RPM			
ROTATION DRIVE	AQUAMOTOR TURBINE			
WEIGHT	8.3 KG			



RUGOSITA' (UNI 4600)	MODIFICA	1	2	3	4	5	 CLEANING HEADS MONTECCHIO E. (RE) - ITALY
FOGLIO XXXX	FOGLIO	XXXX					
GREZZO	DATA	XX.XX.XX					DISEGN.: CR DATA: 29.08.14 MOD.
TOLLERANZE GENERALI classe m UNI-EN 22768/1							
SGROSS. $3/2$	NOTE:						CODICE: XT 076A
FINITURA $1.6/$	MATERIALE:						
RETTIFICA $0.8/$	DESCRIZIONE: XT 076A						XT 076A
	INSTALLATION DRAWING						