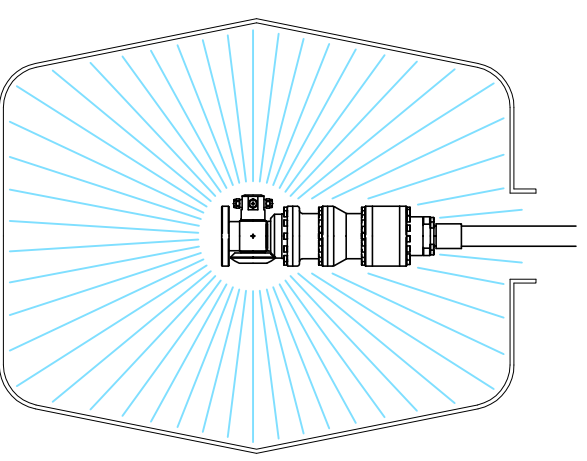


TECHNICAL DATA

O.RING	NBR - EPDM - VITON
SLIPPER	PIFFE+CARBON FIBRE
BUSHING	AISI 316
FILTER	700 MICRON
NOZZLES POSITIONS	2 - 4
NOZZLES THREAD	1/4"NPT (URACA TYPE N)
TESTING NOZZLES	0 x 0000
OPERATING FLOW RANGE	60 - 400 L/min
TESTING FLOW	00 L/min
OPERATING PRESSURE RANGE	5 - 400 bar
TESTING PRESSURE	000 bar
CENTER LINE MIN PASS THROUGH HOLE	140 mm
MANUAL MIN PASS THROUGH HOLE	120 mm
MAX OPERATING TEMPERATURE	90 °C
MATERIAL	INOX AISI 316
CONICAL GEARS	FIXED Z=71 ROTATING Z=73
MODULE	1
DIFFUSER SPEED SETTING OPENINGS	5
TESTING DIFFUSER OPENINGS	X/X/X/X/X
ROTATION SPEED	SEE CHART
FULL CYCLE	73 ROTATIONS
FULL CYCLE TIME	4.5 min AT 16 RPM
WEIGHT	12.6 KG

FLOW L/MIN	DIFFUSER OPENINGS				
	3	3/6	3/6/9	3/6/9/12	3/6/9/12/15
60	12				
90	16	9			
120	18	12			
150		16	9		
180		18	12		
210			16	9	
240			18	12	
270				16	9
300				18	12
330					16
360					18
400					22



RUGOSITA' (UNI 4600)	MODIFICA	1	2	3	4	5
GREZZO	FOGLIO DATA	XXXX				
~ = ∅	TOLLERANZE GENERALI classe m UNI-EN 22768/1	0±6	6±30	30±120	120±400	400±1000
SGROSS. ∇ = 3/2		±0.1	±0.2	±0.3	±0.5	±0.8
FINITURA 1.6/∇∇ = ∇	MATERIALE: INOX AISI 316 + PEEK					
RETTIFICA ∇∇∇ = ∇	DESCRIZIONE: INSTALLATION DRAWING MW 440A					



DISSEG. : CR | CONTR. : DM
 DATA: 11.06.12
 MOD. :
 CODICE: MW 440 A
 SCALA: 1:1
 A3
 O