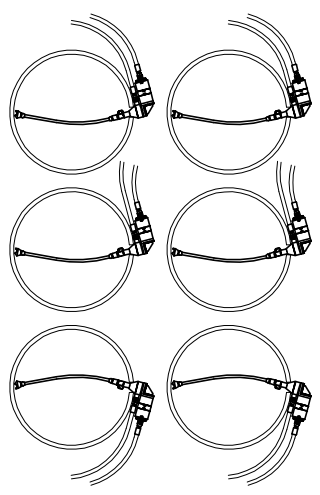
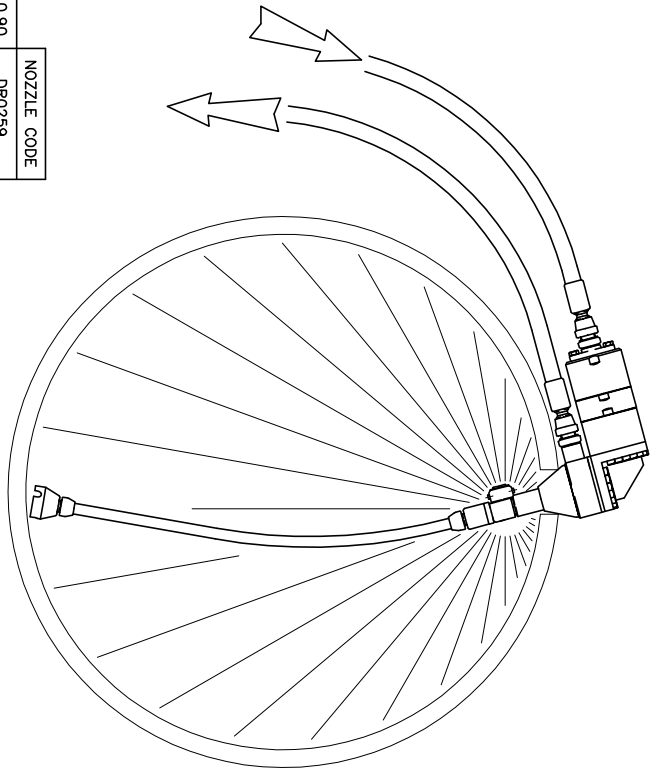


TECHNICAL DATA	
O-RING	NBR
SLIPPER	PTFE+CARBON FIBRE
BUSHING	AISI 316 + BRONZE
FILTER	700 MICRON
NOZZLES POSITIONS	2
NOZZLES TYPE	M5 THREAD (SEE CHART)
TESTING NOZZLES	2 x DR0XXX
OPERATING FLOW RANGE	10 - 23 L/min (2.6 - 6 Usqd./min)
TESTING FLOW	00 L/min
OPERATING PRESSURE RANGE	15 - 125 bar (220 - 1800 psi)
TESTING PRESSURE	000 bar
MANUAL MIN PASS THROUGH HOLE	40 mm (1.575")
MAX OPERATING TEMPERATURE	90 °C
MATERIAL	INOX AISI 316
CONICAL GEARS	FIXED Z=23 ROTATING Z=25
MODULE	1
ROTATION SPEED RANGE	25 TO 35 RPM
TESTING DIFFUSER CODE	DF0000 (SEE CHART)
FULL CYCLE	25 ROTATIONS
FULL CYCLE TIME	1 min AT 25 RPM
WEIGHT	3.9 KG

NOZZLE DIA.	NOZZLE CODE
0.90	DR0259
1.00	DR0261
1.15	DR0263
1.30	DR0267
1.50	DR0271

FLOW L/MIN	DIFFUSER CODE - HOLES
10 - 12	DF0210 - 6x1.50
12 - 15	DF0219 - 6x2.20
15 - 18	DF0222 - 12x1.90
18 - 20	DF0225 - 12x2.30
20 - 23	DF0226 - 12x2.70



ø8 (5/16") IS THE MAXIMUM SOLID PARTICLE SIZE THAT CAN PASS THROUGH THE SUCTION DUCT.

RILSAN FLEXIBLE HOSE (TO BE CUT TO GET THE REQUIRED LENGTH)

NON ROTATING SUCTION FOOT

VERSIONE	01	02	03	04	05
FOGLIO	XXXX				
DATA	26.08.15				
VERSIONE	06	07	08	09	10
FOGLIO					
DATA					

NOTE:

DESCRIZIONE: XC 021AAW APPLICATION DRAWING

CLEANING HEADS  
MONTECCHIO E. (RE) - ITALY

DISEGN.: CR | CONTR.: DM  
DATA: 26.08.15 | VERSIONE

SCALA 1:3 | A4 | 01

CODICE: XC 021AAW