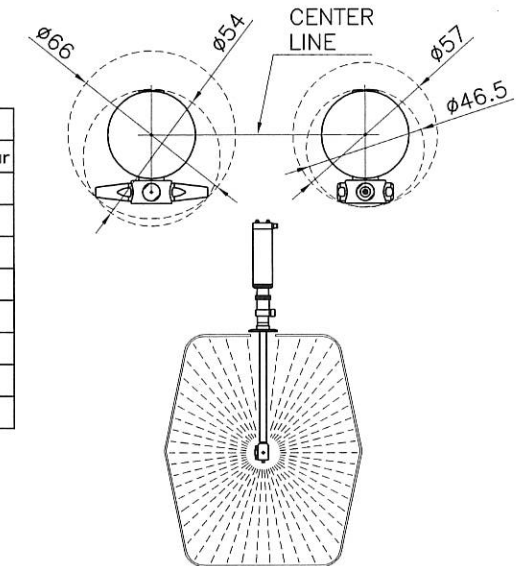


TECHNICAL DATA

O-RINGS	EPDM
MANIFOLD LIP SEAL	EPDM
BUSHING	PEEK
NOZZLES POSITIONS	2 - 4
NOZZLES THREAD	M6
TESTING NOZZLES	0 x DIA. 0.0
OPERATING FLOW RANGE	0 - 15 L/min
TESTING FLOW	00 L/min
OPERATING PRESSURE RANGE	0 - 10 bar
TESTING PRESSURE	00 bar
CENTER LINE MIN PASS THROUGH HOLE	2 nozzles 57 mm - 4 nozzles 66 mm
MANUAL MIN PASS THROUGH HOLE	2 nozzles 46.5 mm - 4 nozzles 54 mm
PIPE LENGTH	518 mm (STANDARD)
MAX OPERATING TEMPERATURE	90 °C
MATERIAL	INOX AISI 316
CONICAL GEARS	FIXED Z=19 ROTATING Z=20
MODULE	1
FULL CYCLE	20 ROTATIONS
FULL CYCLE TIME	1 min.
ELECTRIC MOTOR	BB0032
ELECTRIC MOTOR VOLTAGE	24V DC
ELECTRIC MOTOR AMPS	0.40 A (1.00 A PROTECTION FUSE)
ELECTRIC MOTOR SPEED	24 RPM
WEIGHT	7.5 KG

		FULL FLOW (L/MIN.)									
		1 bar	2 bar	3 bar	4 bar	5 bar	6 bar	7 bar	8 bar	9 bar	10 bar
2 NOZZLES	Ø2.0	4.0	7.5	10.0	11.5	13.0	14.5	16.0	17.5	18.5	20.0
	Ø2.3	4.5	8.5	10.5	12.0	14.0	16.0	17.0	18.5	19.5	21.0
	Ø2.6	4.5	9.0	11.5	14.0	16.0	17.5	19.0	20.5	22.0	23.0
	Ø3.0	4.5	9.5	13.0	15.0	17.0	19.0	20.0	22.0	23.5	25.0
4 NOZZLES	Ø2.0	5.0	10.5	13.5	16.0	18.0	20.0	21.5	23.5	25.0	26.0
	Ø2.3	5.5	11.0	14.0	16.5	19.0	21.0	22.5	24.0	26.0	27.0
	Ø2.6	5.5	11.5	15.0	18.0	20.0	22.0	24.0	26.0	27.0	28.0
	Ø3.0	5.5	11.5	15.5	18.5	21.0	23.0	25.0	26.5	28.5	30.5



RUGOSITA' (UNI 4600)	MODIFICA	1	2	3	4	5	<p>CLEANING HEADS MONTECCHIO E. (RE) - ITALY</p>
GREZZO	FOGLIO	XXXX					
SGROSS.	DATA	XX.XX.XX					
FINITURA	TOLLERANZE GENERALI classe m UNI-EN 22768/1						DISEGN.: CR CONTR.: DM
RETTIFICA	0+6 6+30 30+120 120+400 400+1000 1000+2000						DATA: 05.03.10 MOD.
	± 0.1 ± 0.2 ± 0.3 ± 0.5 ± 0.8 ± 1.2						SCALA
	NOTE:						1:2 A3 0
	DESCRIZIONE: UC 015 E APPLICATION DRAWING						CODICE:
							XM 015 E