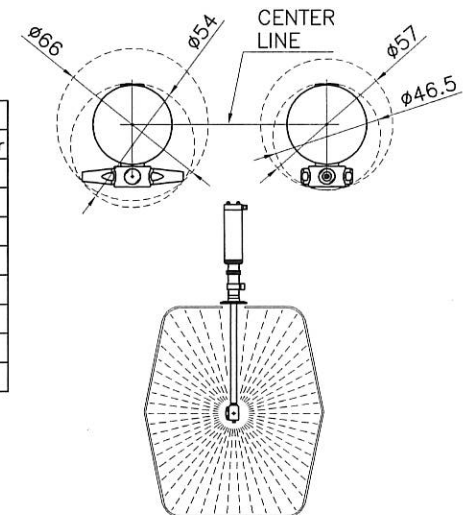


TECHNICAL DATA	
O-RINGS	EPDM
MANIFOLD LIP SEAL	EPDM
BUSHING	PEEK
NOZZLES POSITIONS	2 - 4
NOZZLES THREAD	M6
TESTING NOZZLES	0 x DIA. 0.0
OPERATING FLOW RANGE	0 - 15 L/min
TESTING FLOW	00 L/min
OPERATING PRESSURE RANGE	0 - 10 bar
TESTING PRESSURE	00 bar
CENTER LINE MIN PASS THROUGH HOLE	2 nozzles 57 mm - 4 nozzles 66 mm
MANUAL MIN PASS THROUGH HOLE	2 nozzles 46.5 mm - 4 nozzles 54 mm
PIPE LENGTH	350 mm
MAX OPERATING TEMPERATURE	90 °C
MATERIAL	INOX AISI 316
CONICAL GEARS	FIXED Z=19 ROTATING Z=20
MODULE	1
FULL CYCLE	20 ROTATIONS
FULL CYCLE TIME	1.00 MIN. AT 3 BAR AIR PRESSURE
AIR MOTOR	ATLAS COPCO ATEX BA0725 INOX
WEIGHT	7.5 KG

		FULL FLOW (L/MIN.)									
		1 bar	2 bar	3 bar	4 bar	5 bar	6 bar	7 bar	8 bar	9 bar	10 bar
2 NOZZLES	Ø2.0	4.0	7.5	10.0	11.5	13.0	14.5	16.0	17.5	18.5	20.0
	Ø2.3	4.5	8.5	10.5	12.0	14.0	16.0	17.0	18.5	19.5	21.0
	Ø2.6	4.5	9.0	11.5	14.0	16.0	17.5	19.0	20.5	22.0	23.0
	Ø3.0	4.5	9.5	13.0	15.0	17.0	19.0	20.0	22.0	23.5	25.0
4 NOZZLES	Ø2.0	5.0	10.5	13.5	16.0	18.0	20.0	21.5	23.5	25.0	26.0
	Ø2.3	5.5	11.0	14.0	16.5	19.0	21.0	22.5	24.0	26.0	27.0
	Ø2.6	5.5	11.5	15.0	18.0	20.0	22.0	24.0	26.0	27.0	28.0
	Ø3.0	5.5	11.5	15.5	18.5	21.0	23.0	25.0	26.5	28.5	30.5



AIR PRESSURE AND CONSUMPTION			
ROTATION SPEED	29 RPM	1 bar	264 L/min. AIR
ROTATION SPEED	42 RPM	2 bar	288 L/min. AIR
ROTATION SPEED	51 RPM	3 bar	300 L/min. AIR
ROTATION SPEED	58 RPM	4 bar	306 L/min. AIR
ROTATION SPEED	62 RPM	5 bar	312 L/min. AIR
ROTATION SPEED	66 RPM	6 bar	324 L/min. AIR

RUGOSITA' (UNI 4600)	MODIFICA	1	2	3	4	5
GREZZO	FOGLIO	XXXX				
~ = √	DATA	XX.XX.XX				
SGROSS. ±0.1 ±0.2 ±0.3 ±0.5 ±0.8 ±1.2	TOLLERANZE GENERALI classe m UNI-EN 22768/1 0±6 6±30 30±120 120±400 400±1000 1000±2000					
FINITURA ∇∇ = 1.6/∇	DESCRIZIONE: XM 015 P APPLICATION DRAWING					
RETTIFICA ∇∇∇ = 0.8/∇	SCALE: 1:2 A3 0					
	CODICE: XM 015 P					

Bolondi
CLEANING HEADS
MONTECCHIO E. (RE) - ITALY
DESIGN.: CR | CONTR.: DM
DATA: 05.03.10 | MOD.
SCALE: 1:2 A3 0
CODICE: XM 015 P