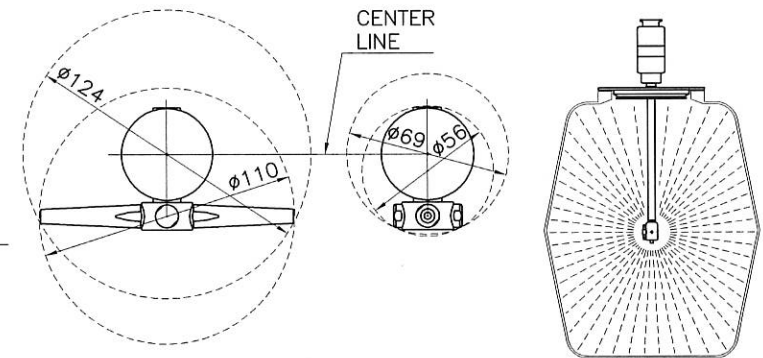
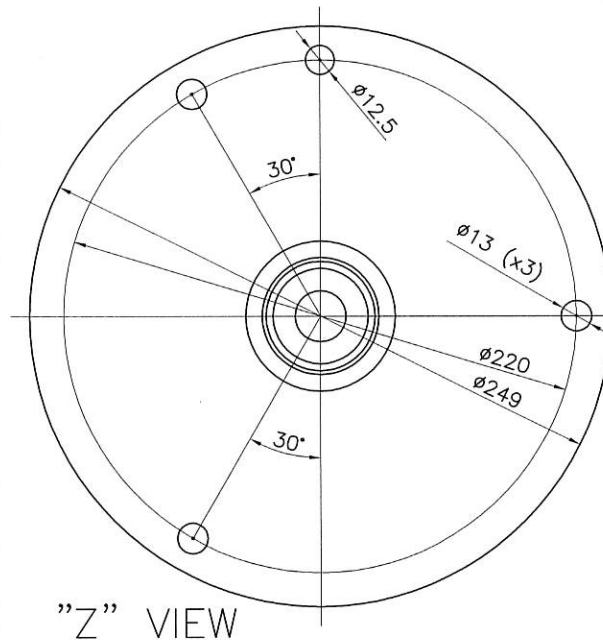


	FULL FLOW (L/MIN.)										
	1 bar	2 bar	3 bar	4 bar	5 bar	6 bar	7 bar	8 bar	9 bar	10 bar	
2 NOZZLES	ø2.0	4.0	9.0	11.0	14.0	15.5	17.0	18.5	20.0	21.0	22.0
	ø2.3	4.5	9.5	11.5	14.5	16.5	18.0	20.0	21.0	22.5	24.0
	ø2.6	5.5	10.5	13.5	16.0	18.0	20.0	21.5	23.0	24.5	26.0
	ø3.0	5.5	11.0	15.5	17.0	19.5	21.0	23.0	25.0	26.5	28.0
	ø3.3	5.5	11.5	15.0	18.0	20.0	22.0	24.0	26.0	28.0	30.0
	ø3.6	5.5	11.5	16.0	18.5	20.5	23.0	25.0	26.5	29.0	30.5
	ø4.0	5.5	11.5	16.5	19.5	22.0	24.0	26.0	28.5	30.5	32.5

	FULL FLOW (L/MIN.)										
	1 bar	2 bar	3 bar	4 bar	5 bar	6 bar	7 bar	8 bar	9 bar	10 bar	
4 NOZZLES	ø2.0	5.5	11.5	14.5	17.0	19.5	21.5	23.5	25.0	27.0	28.0
	ø2.3	5.5	11.5	15.5	18.5	21.0	23.0	25.0	27.5	29.0	31.0
	ø2.6	5.5	11.5	17.0	20.0	22.0	24.5	27.0	29.0	31.0	32.5
	ø3.0	5.5	11.5	17.0	20.5	23.0	25.5	27.5	30.5	32.0	34.0
	ø3.3	5.5	11.5	18.0	21.0	23.5	26.0	28.0	31.0	33.0	34.5
	ø3.6	5.5	14.0	18.0	21.0	24.0	26.5	29.0	31.5	33.5	35.0
	ø4.0	5.5	15.0	19.0	22.0	24.5	27.0	29.5	31.5	33.5	35.5

CE Ex II 1 GD TX Zone 0-20

TECHNICAL DATA	
O-RINGS	EPDM
MANIFOLD LIP SEAL	EPDM
BUSHING	PEEK
NOZZLES POSITIONS	2 - 4
NOZZLES THREAD	M9x1
TESTING NOZZLES	0 x DIA. 0.0
OPERATING FLOW RANGE	0 - 30 L/min
TESTING FLOW	00 L/min
OPERATING PRESSURE RANGE	0 - 10 bar
TESTING PRESSURE	00 bar
CENTER LINE MIN PASS THROUGH HOLE	2 nozzles 69 mm - 4 nozzles 124 mm
MANUAL MIN PASS THROUGH HOLE	2 nozzles 56 mm - 4 nozzles 110 mm
MAX OPERATING TEMPERATURE	90 °C
MATERIAL	INOX AISI 316L
CONICAL GEARS	FIXED Z=23 ROTATING Z=24
MODULE	1
FULL CYCLE	24 ROTATIONS
FULL CYCLE TIME	1.00 MIN. AT 24 RPM
WEIGHT	6.6 KG



RUGOSITA' (UNI 4600)	MODIFICA	1	2	3	4	5
FOGLIO	XXXX					
DATA	XX.XX.XX					
GREZZO	TOLLERANZE GENERALI classe m UNI-EN 22768/1					
	0+6	6+30	30+120	120+400	400+1000	1000+2000
SGROSS.	±0.1	±0.2	±0.3	±0.5	±0.8	±1.2
FINITURA	NOTE:					
RETTIFICA	DESCRIZIONE: XM 030 A APPLICATION DRAWING DIOSNA VERSION					

Bolondi
CLEANING HEADS
MONTECCHIO E. (RE) - ITALY

DISEGN.: CR | CONTR.: DM
DATA: 03.07.13 | MOD.

SCALE: 1:2 | A3 | 0

CODICE: XM 030 A