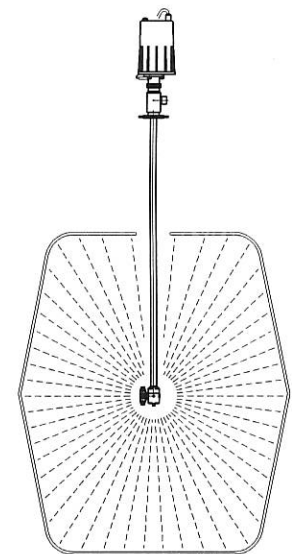
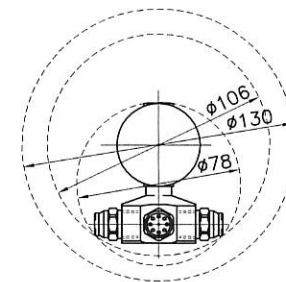
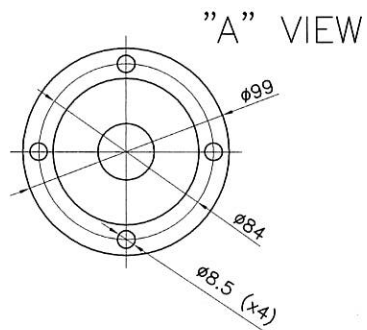


TECHNICAL DATA	
O-RINGS	EPDM
MANIFOLD LIP SEAL	EPDM
BUSHING	PEEK
NOZZLES POSITIONS	2 - 4
NOZZLES THREAD	1/4"NPT
TESTING NOZZLES	0 x DIA. 0.0
OPERATING FLOW RANGE	0 - 30 L/min
TESTING FLOW	00 L/min
OPERATING PRESSURE RANGE	0 - 10 bar
TESTING PRESSURE	00 bar
CENTER LINE MIN PASS THROUGH HOLE	106 mm
MANUAL MIN PASS THROUGH HOLE	78 mm
PIPE LENGTH	518 mm (STANDARD)
MAX OPERATING TEMPERATURE	90 °C
MATERIAL	INOX AISI 316
CONICAL GEARS	FIXED Z=23 ROTATING Z=24
MODULE	1
FULL CYCLE	24 ROTATIONS
FULL CYCLE TIME	1.4 min.
ELECTRIC MOTOR	BB0014
ELECTRIC MOTOR VOLTAGE	24V DC
ELECTRIC MOTOR AMPS	0.40 A (1.00 A PROTECTION FUSE)
ELECTRIC MOTOR SPEED	17 RPM
WEIGHT	7.5 KG



RUGOSITA' (UNI 4600)	MODIFICA	1	2	3	4	5
FOGLIO	XXXX					
DATA	XX.XX.XX					
GREZZO	TOLLERANZE GENERALI classe m UNI-EN 22768/1					
~ = ✓	0+6	6+30	30+120	120+400	400+1000	1000+2000
SGROSS.	±0.1	±0.2	±0.3	±0.5	±0.8	±1.2
▽ = 3.2	NOTE:					
FINITURA	DESCRIZIONE: XM 030 E					
▽ = 1.6	APPLICATION DRAWING					
RETTIFICA	COPERION VERSION					
▽ = 0.8	CODICE: XM 030 E					

Bekendi
CLEANING HEADS
MONTECCHIO E. (RE) - ITALY
DISEGN.: CR | CONTR.: DM
DATA: 23.06.14 | MOD.
SCALA: 1:2 | A3 | 0
CODICE: XM 030 E