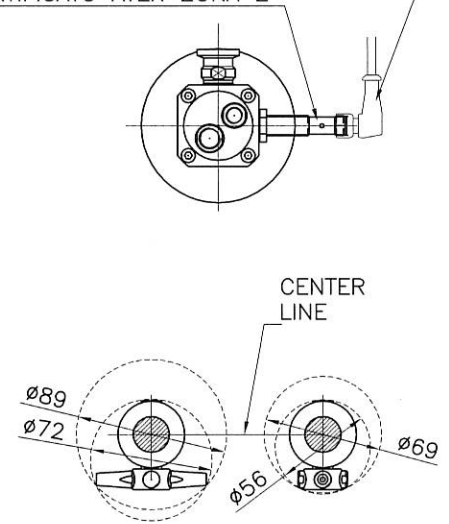


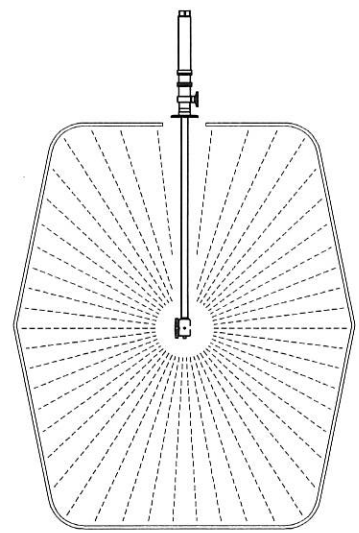
BR0727
IFM-EVC15A
CONNETTORE

BR0725
IFM-IF503A
SENSORE M12x1
CERTIFICATO ATEX ZONA 2



TECHNICAL DATA

O-RINGS	EPDM
MANIFOLD LIP SEAL	EPDM
BUSHING	PEEK
NOZZLES POSITIONS	4
NOZZLES THREAD	M9x1
TESTING NOZZLES	4 x DIA. 4.0 LENGTH 23
OPERATING FLOW RANGE	0 - 30 L/min
TESTING FLOW	22 L/min
OPERATING PRESSURE RANGE	0 - 10 bar
TESTING PRESSURE	4 bar
CENTER LINE MIN PASS THROUGH HOLE	2 nozzles 69 mm - 4 nozzles 89 mm
MANUAL MIN PASS THROUGH HOLE	2 nozzles 56 mm - 4 nozzles 72 mm
PIPE LENGHT	718 mm
MAX OPERATING TEMPERATURE	90 °C
MATERIAL	INOX AISI 316
CONICAL GEARS	FIXED Z=23 ROTATING Z=24
MODULE	1
FULL CYCLE	24 ROTATIONS
FULL CYCLE TIME	1.00 MIN. AT 3 BAR AIR PRESSURE
AIR MOTOR	ATLAS COPCO ATEX BA0725 INOX
WEIGHT	7.5 KG



VERSIONE	04	05	06	07	08
FOGLIO					
DATA	25.11.15				
VERSIONE	09	10			
FOGLIO					
DATA					
NOTE: XXXXX					
DESCRIZIONE: XM 030 PPG.04 APPLICATION DRAWING TECNINOX VERSION L=300					
<p>CLEANING HEADS MONTECCHIO E. (RE) - ITALY</p>					