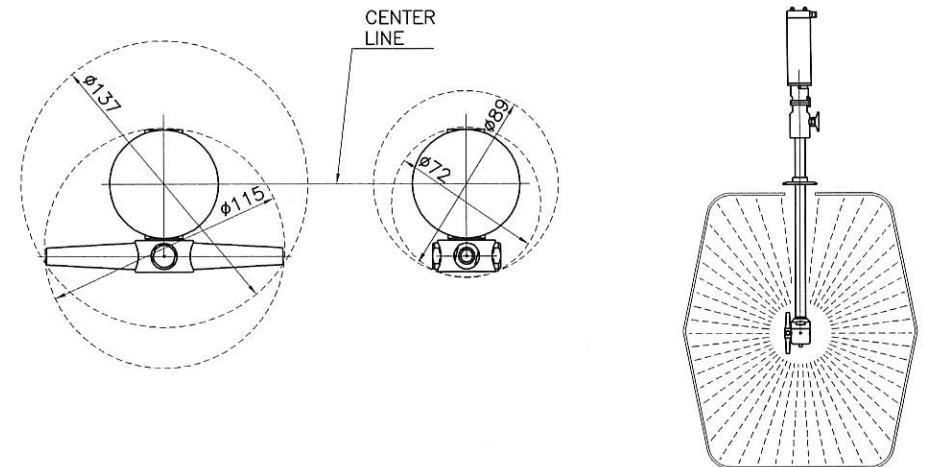



TECHNICAL DATA	
O-RINGS	EPDM
MANIFOLD LIP SEAL	EPDM
BUSHING	PEEK
NOZZLES POSITIONS	2 - 4
NOZZLES THREAD	M12x1
TESTING NOZZLES	0 x DIA. 0.0
OPERATING FLOW RANGE	0 - 80 L/min
TESTING FLOW	00 L/min
OPERATING PRESSURE RANGE	0 - 10 bar
TESTING PRESSURE	00 bar
CENTER LINE MIN PASS THROUGH HOLE	2 nozzles 89 mm - 4 nozzles 137 mm
MANUAL MIN PASS THROUGH HOLE	2 nozzles 72 mm - 4 nozzles 115 mm
PIPE LENGHT	518 mm (STANDARD)
MAX OPERATING TEMPERATURE	90 °C
MATERIAL	INOX AISI 316
CONICAL GEARS	FIXED Z=29 ROTATING Z=31
MODULE	1
FULL CYCLE	31 ROTATIONS
FULL CYCLE TIME	1.63 min.
ELECTRIC MOTOR	BB0006
ELECTRIC MOTOR VOLTAGE	24V DC
ELECTRIC MOTOR AMPS	2.00 A
ELECTRIC MOTOR SPEED	19 RPM
WEIGHT	7.5 KG



RUGOSITA' (UNI 4600)	MODIFICA	1	2	3	4	5
FOGLIO DATA	XXXX					
DATA	XX.XX.XX					
GREZZO	TOLLERANZE GENERALI classe m UNI-EN 22768/1					
~ = ✓	0+6	6+30	30+120	120+400	400+1000	1000+2000
SGROSS.	± 0.1	± 0.2	± 0.3	± 0.5	± 0.8	± 1.2
▽ = 3.2/▽	NOTE:					
FINITURA	DESCRIZIONE: XM 060 E					
▽ = 1.6/▽	APPLICATION DRAWING					
RETTIFICA						
▽▽ = 0.8/▽						
 CLEANING HEADS						
MONTECCHIO E. (RE) - ITALY						
DISEGN.: CR CONTR.: DM						
DATA: 23.06.14 MOD.						
SCALA: 1:2 A3 0						
CODICE: XM 060 E						